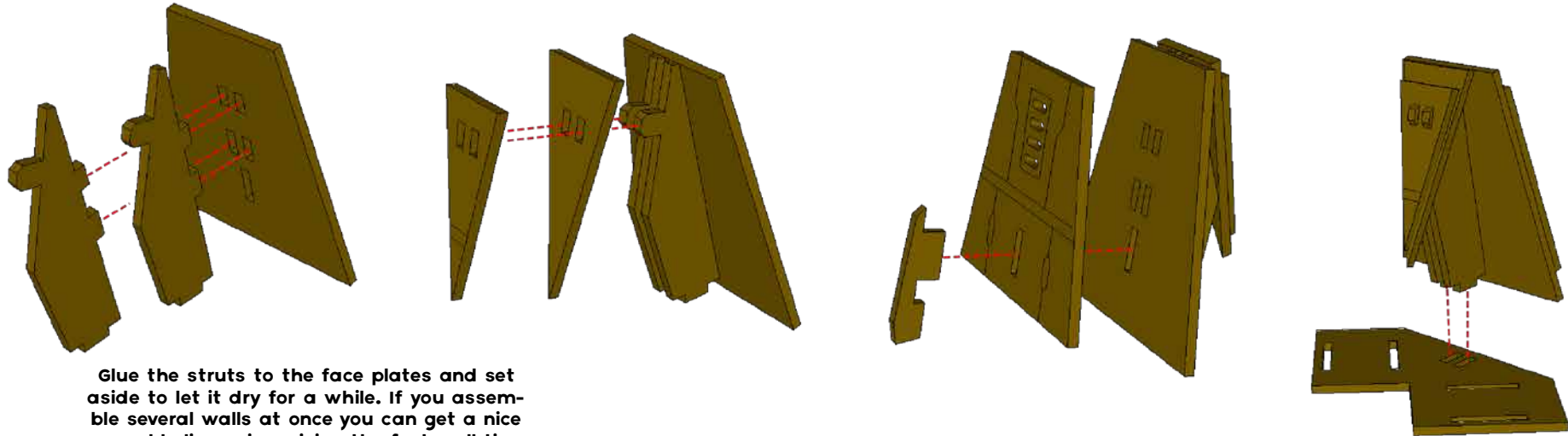
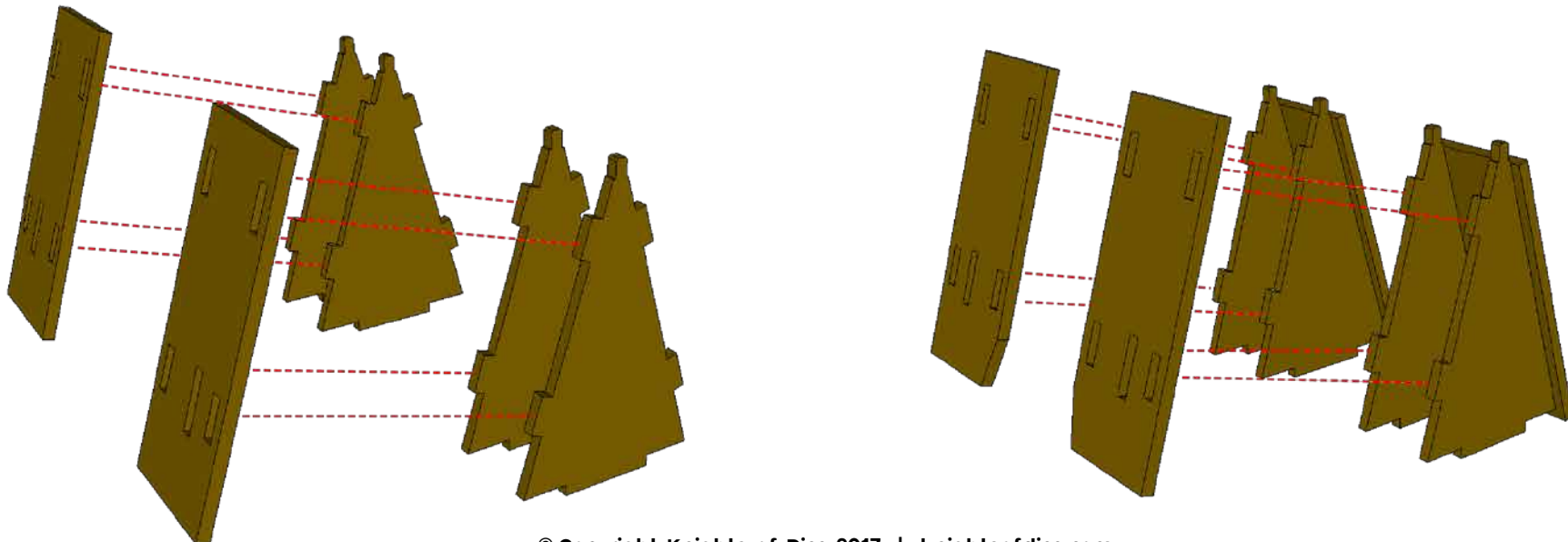


COMPOUND WALLS CORNERS INSTRUCTIONS

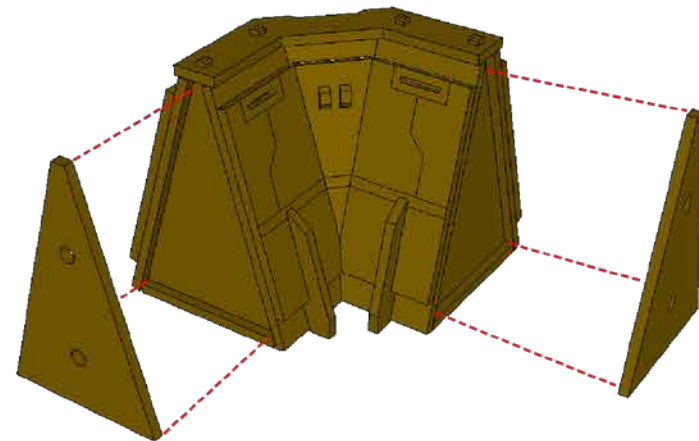
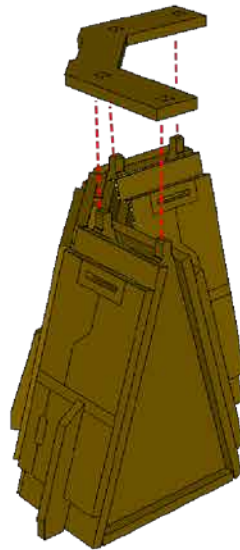
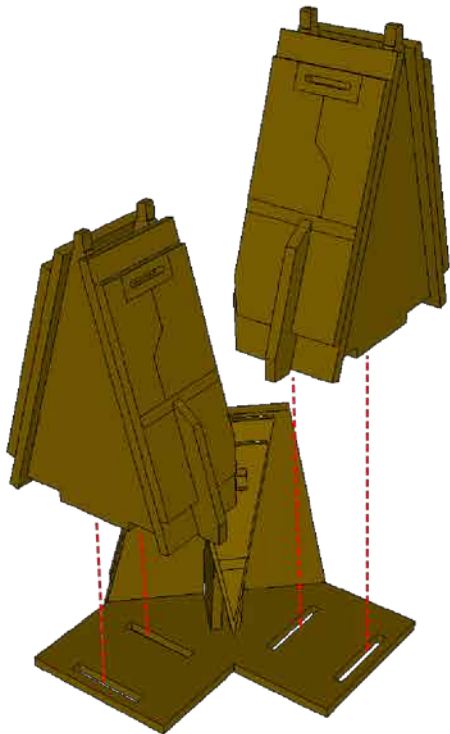
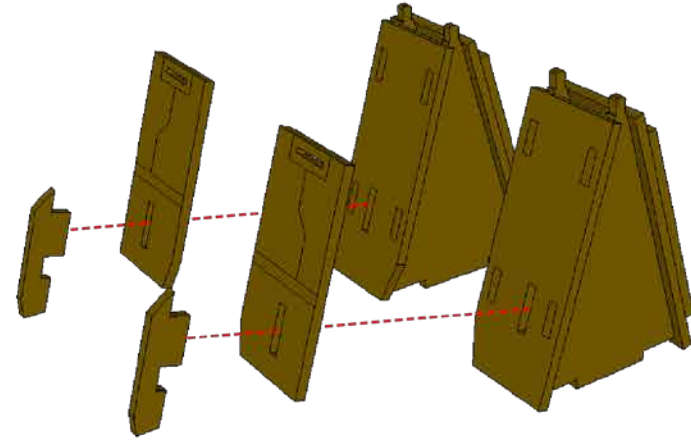
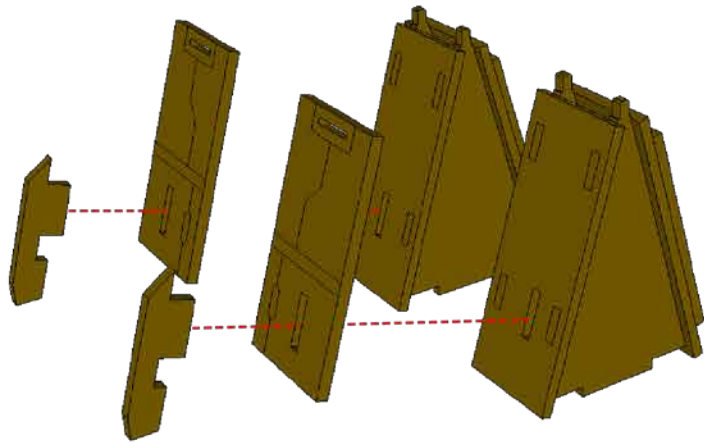
This kit can be a little fiddly to assemble. Take your time and review these instructions carefully :)

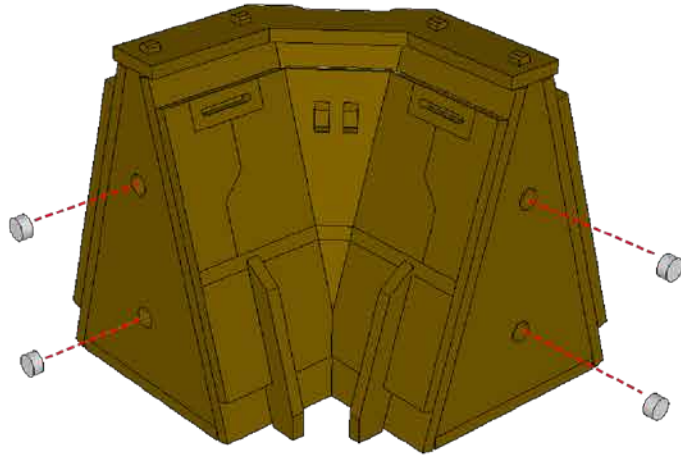


Glue the struts to the face plates and set aside to let it dry for a while. If you assemble several walls at once you can get a nice assembly line going, giving the first wall time to let the glue grab. This will make it easier to assemble later.



COMPOUND WALLS CORNERS INSTRUCTIONS





The end caps include space for small rare earth magnets. These magnets are very small and should be handled with care. Especially in homes with children and pets. Pay careful attention to the polarity of the magnets, you will want them to be uniform for the wall sections to clip together.

