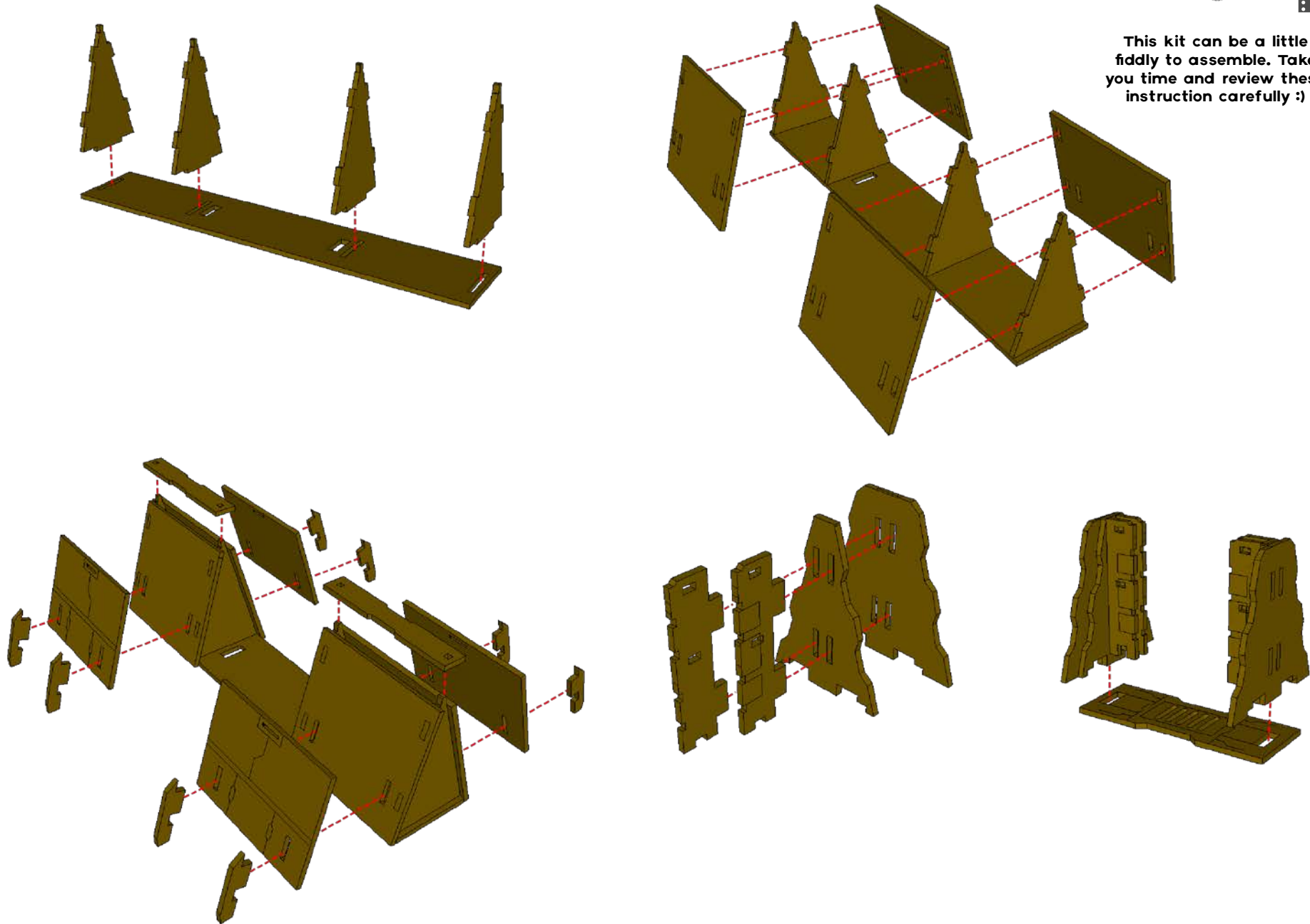
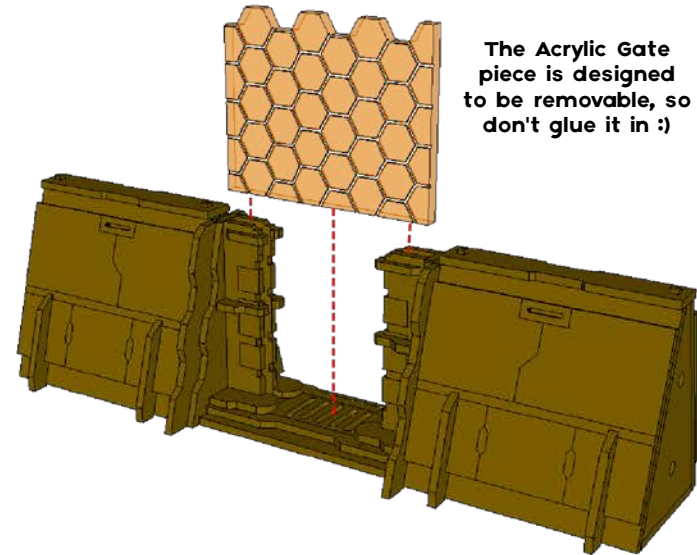
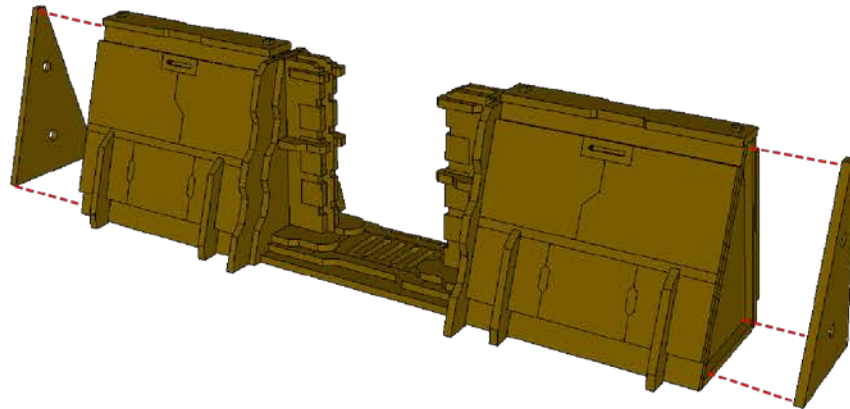
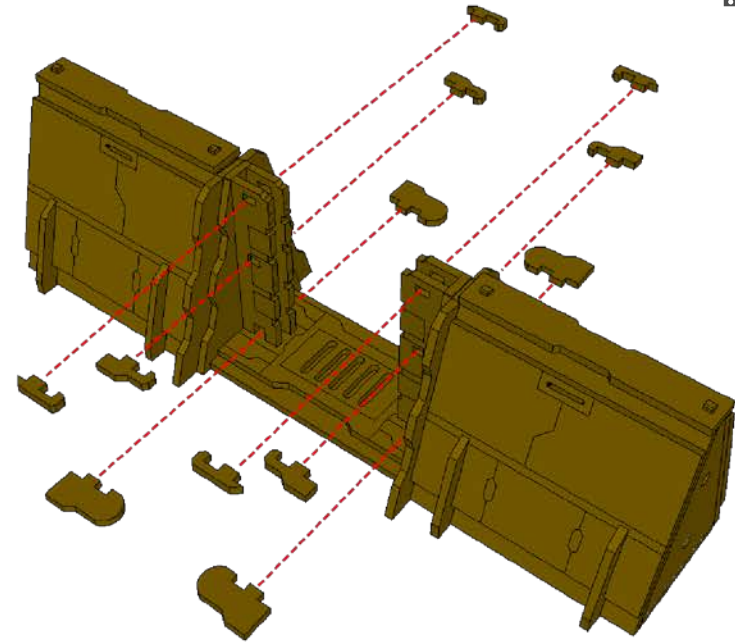
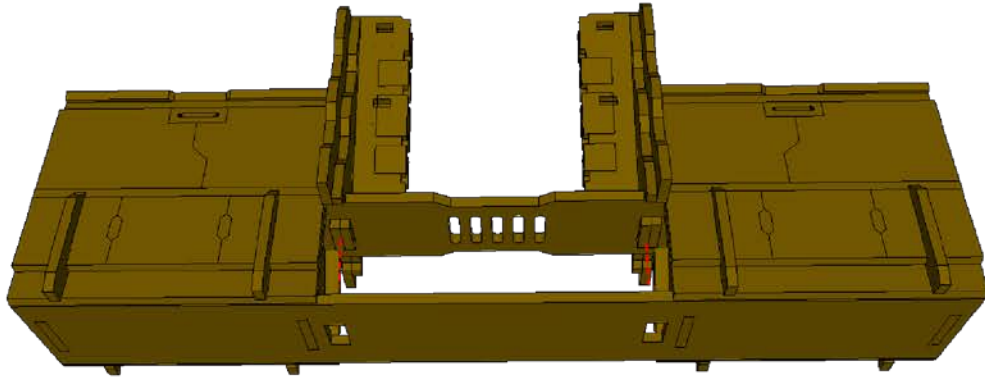


CONTAINMENT ZONE INSTRUCTIONS

This kit can be a little fiddly to assemble. Take you time and review these instruction carefully :)

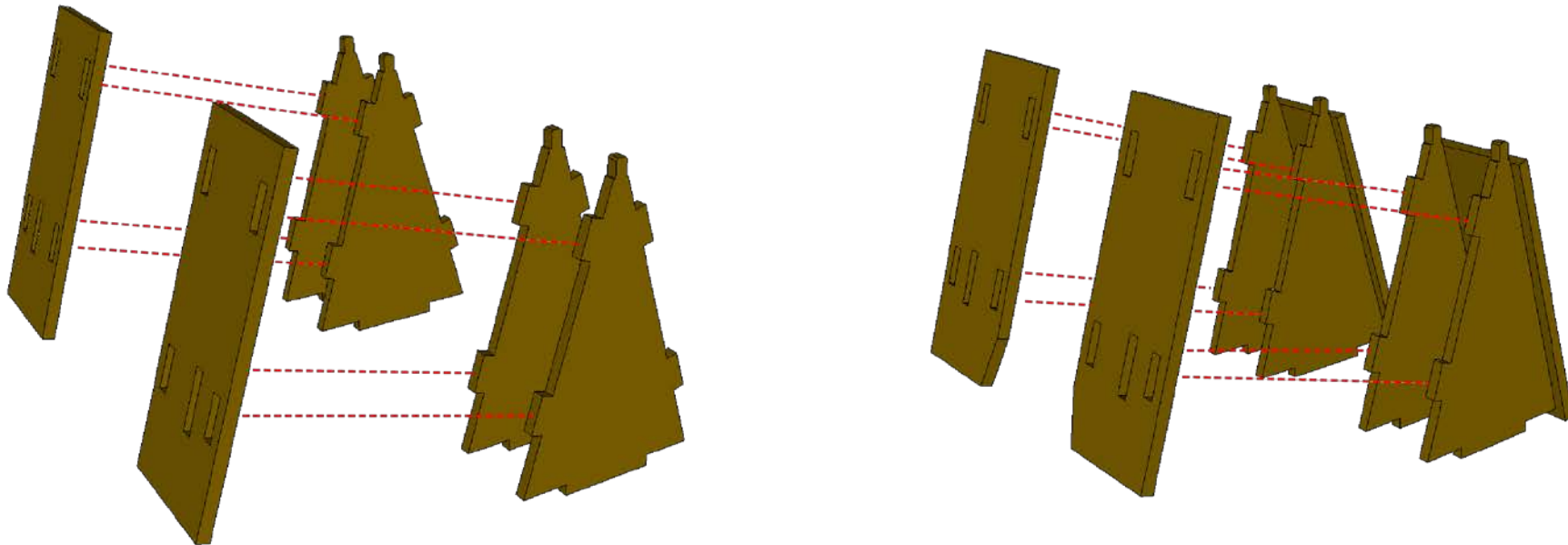
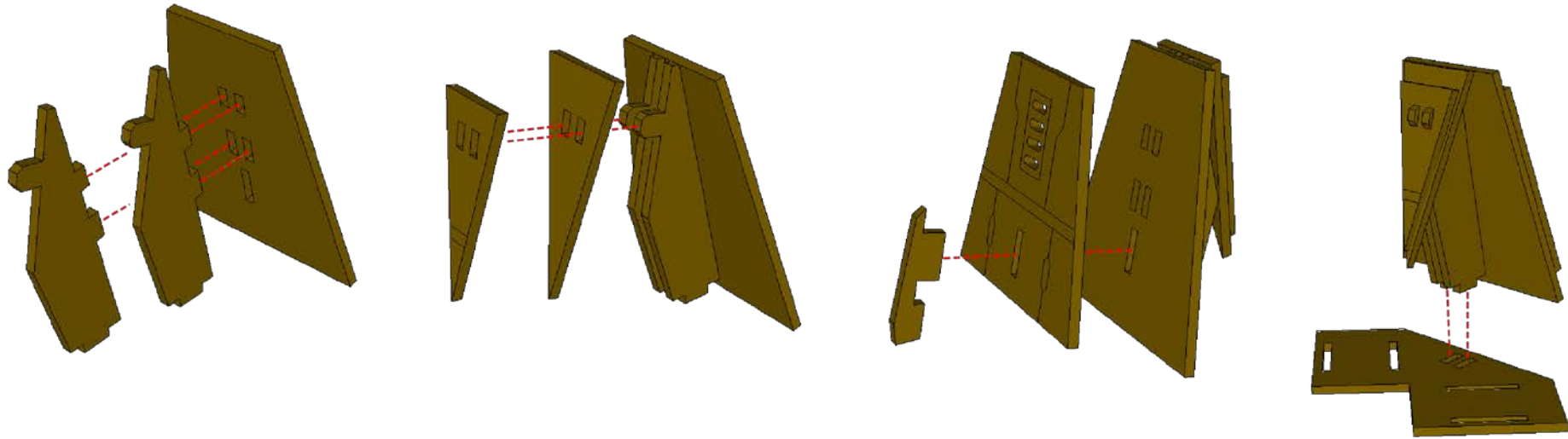


CONTAINMENT ZONE INSTRUCTIONS

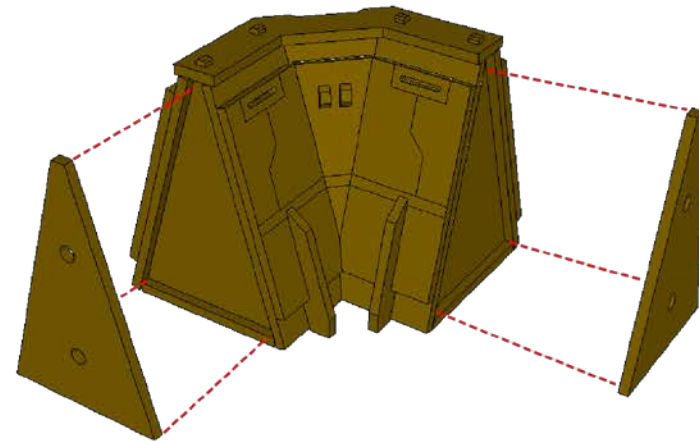
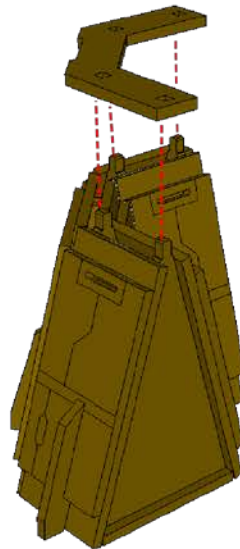
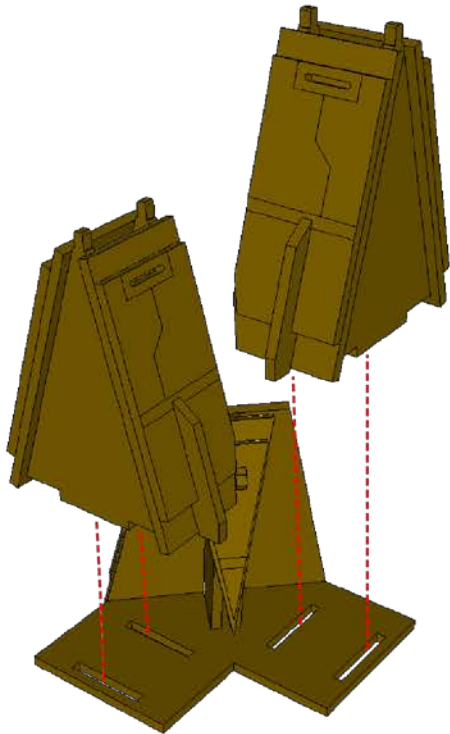
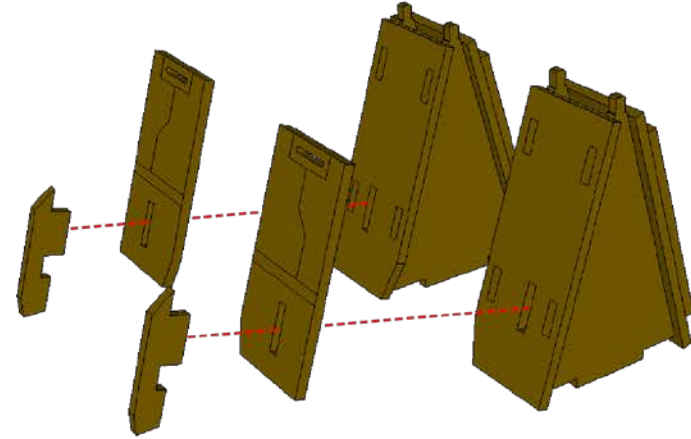
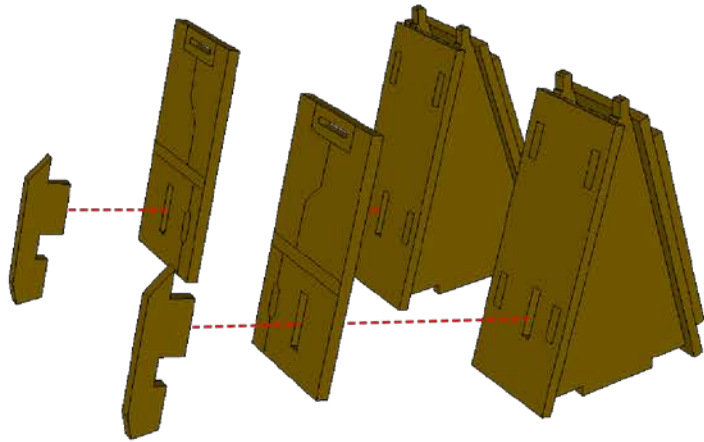


The Acrylic Gate piece is designed to be removable, so don't glue it in :)

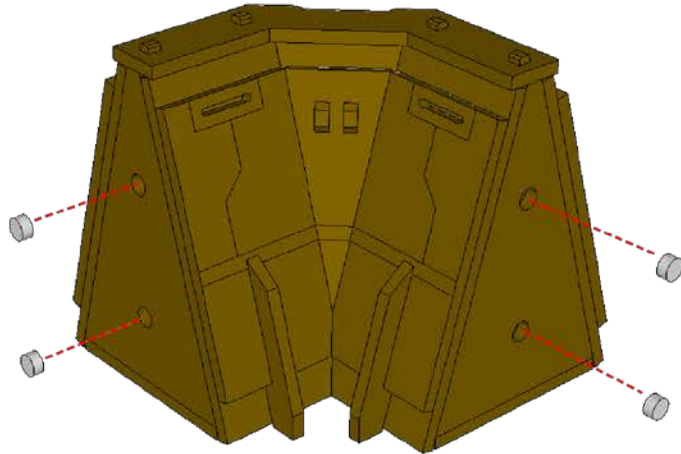
CONTAINMENT ZONE INSTRUCTIONS



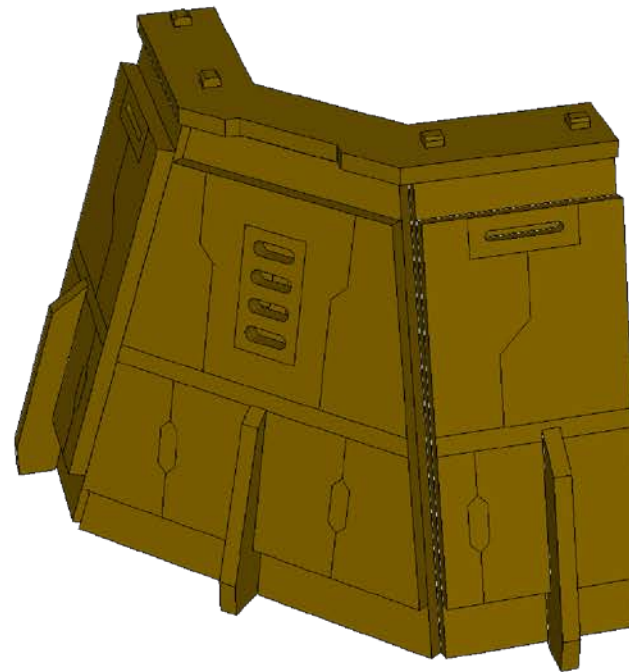
CONTAINMENT ZONE INSTRUCTIONS



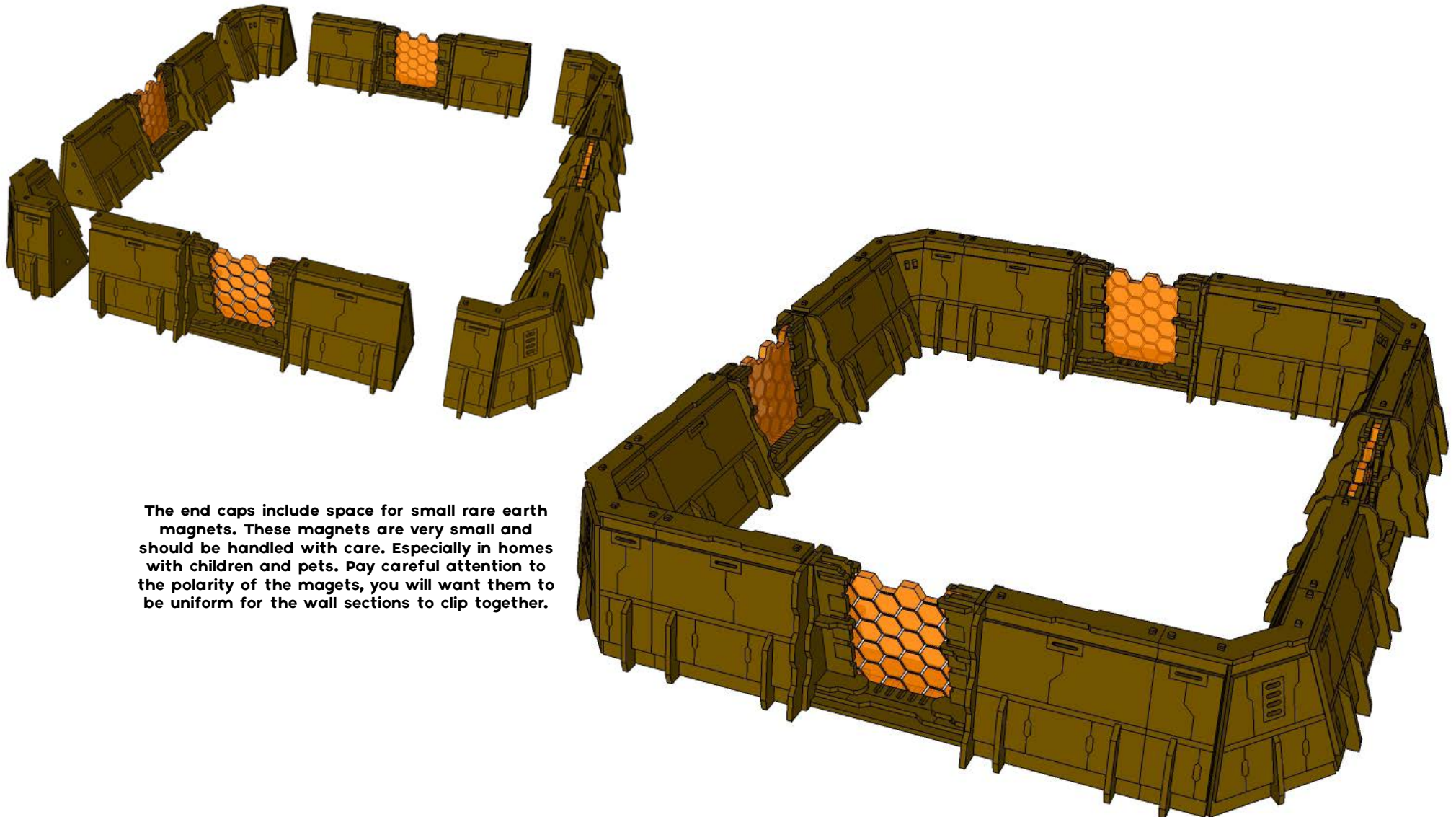
CONTAINMENT ZONE INSTRUCTIONS



The end caps include space for small rare earth magnets. These magnets are very small and should be handled with care. Especially in homes with children and pets. Pay careful attention to the polarity of the magnets, you will want them to be uniform for the wall sections to clip together.



CONTAINMENT ZONE INSTRUCTIONS



The end caps include space for small rare earth magnets. These magnets are very small and should be handled with care. Especially in homes with children and pets. Pay careful attention to the polarity of the magnets, you will want them to be uniform for the wall sections to clip together.