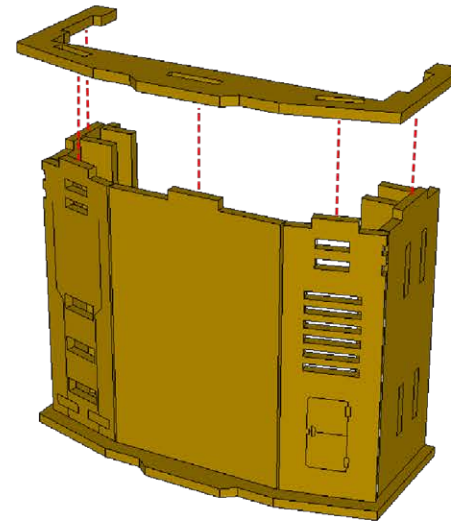
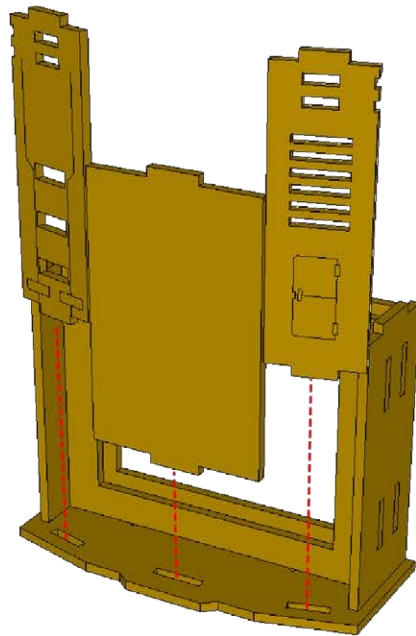
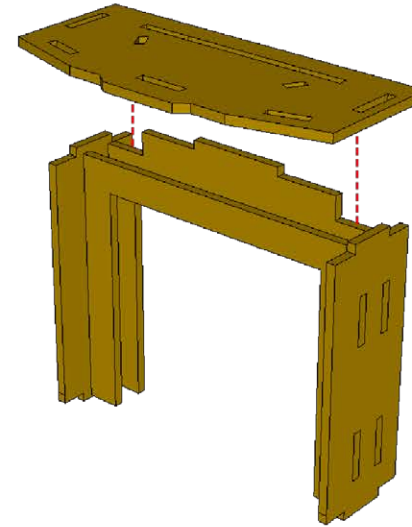
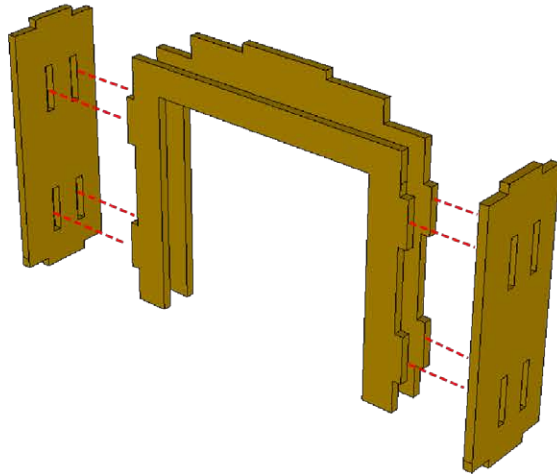
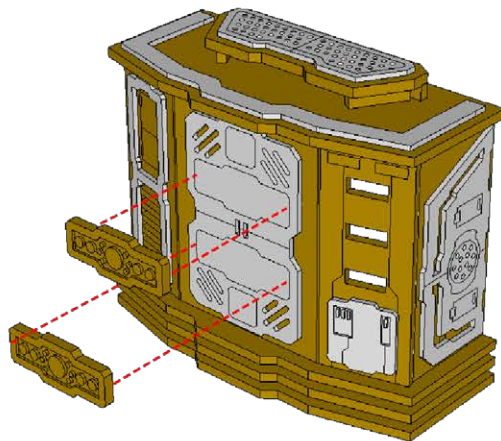
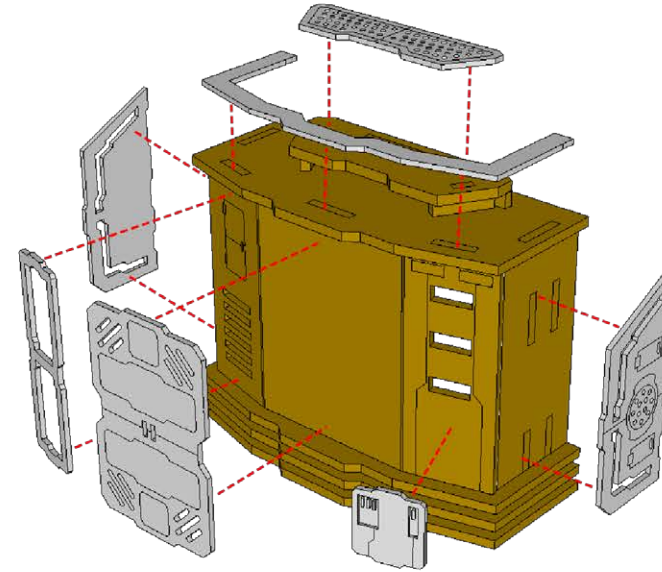
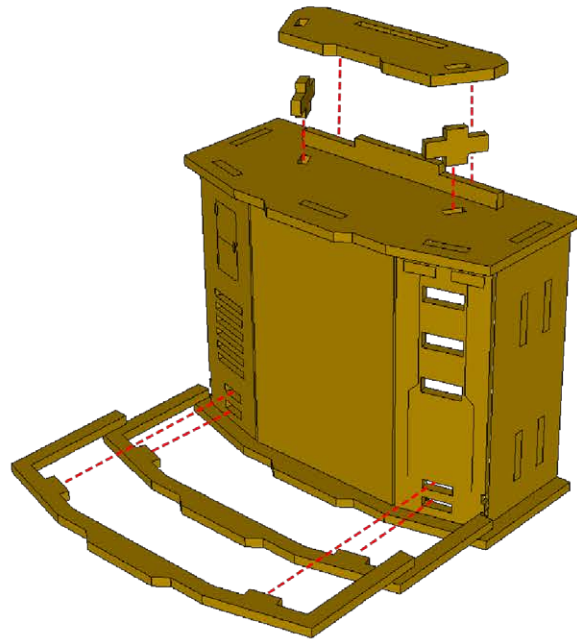




# AUTONOMOUS CONTROL UNIT CAR INSTRUCTIONS

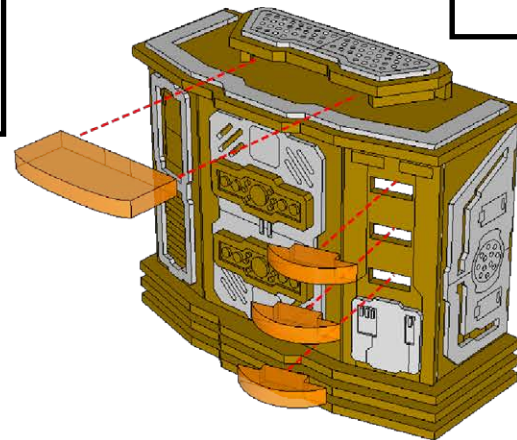


# AUTONOMOUS CONTROL UNIT CAR INSTRUCTIONS



 At this point you may wish to paint the model before inserting the acrylic pieces

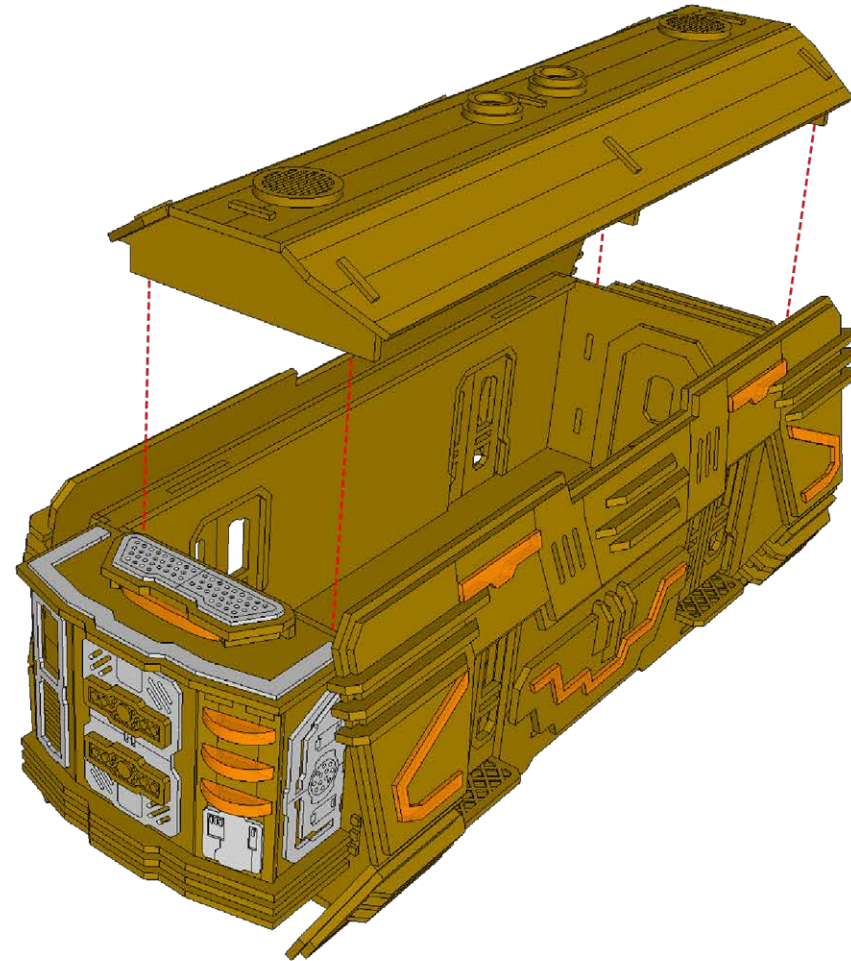
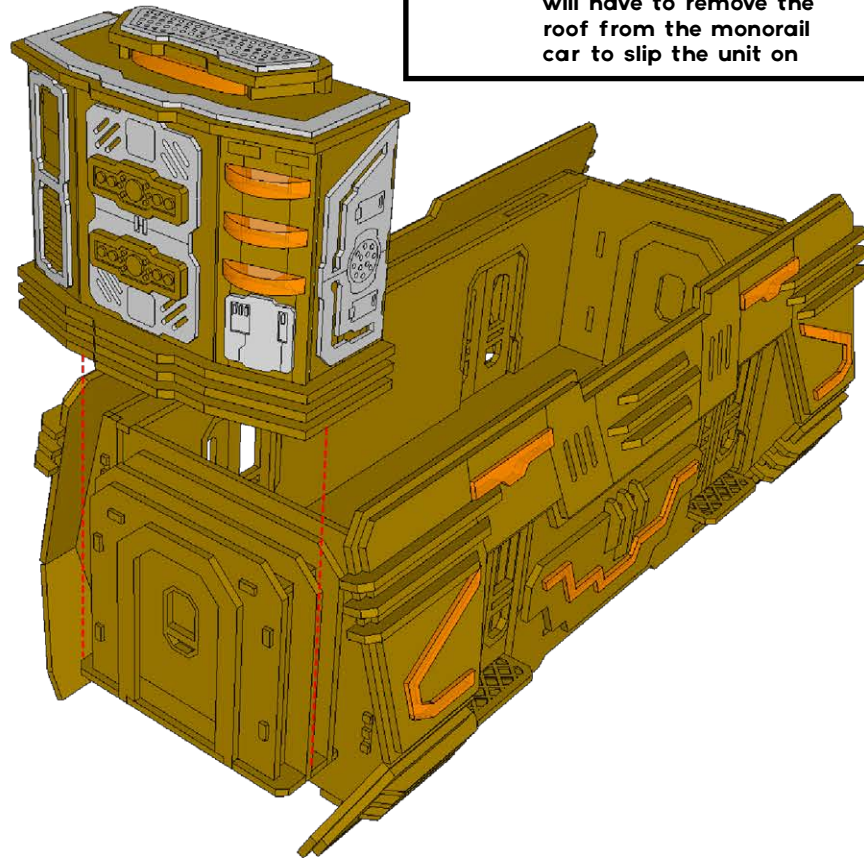
 We use a non-fogging superglue designed for gluing clear parts to affix our acrylic pieces. The brand we use is Loctite Glass. It is worth hunting around in your local hardware store for a similar glue!



## AUTONOMOUS CONTROL UNIT CAR INSTRUCTIONS



Do not glue the unit onto your monorail car! It is designed to slip on and off to allow you to use your existing car as a passenger unit rather than a controller unit. You will have to remove the roof from the monorail car to slip the unit on



# AUTONOMOUS CONTROL UNIT CAR INSTRUCTIONS

