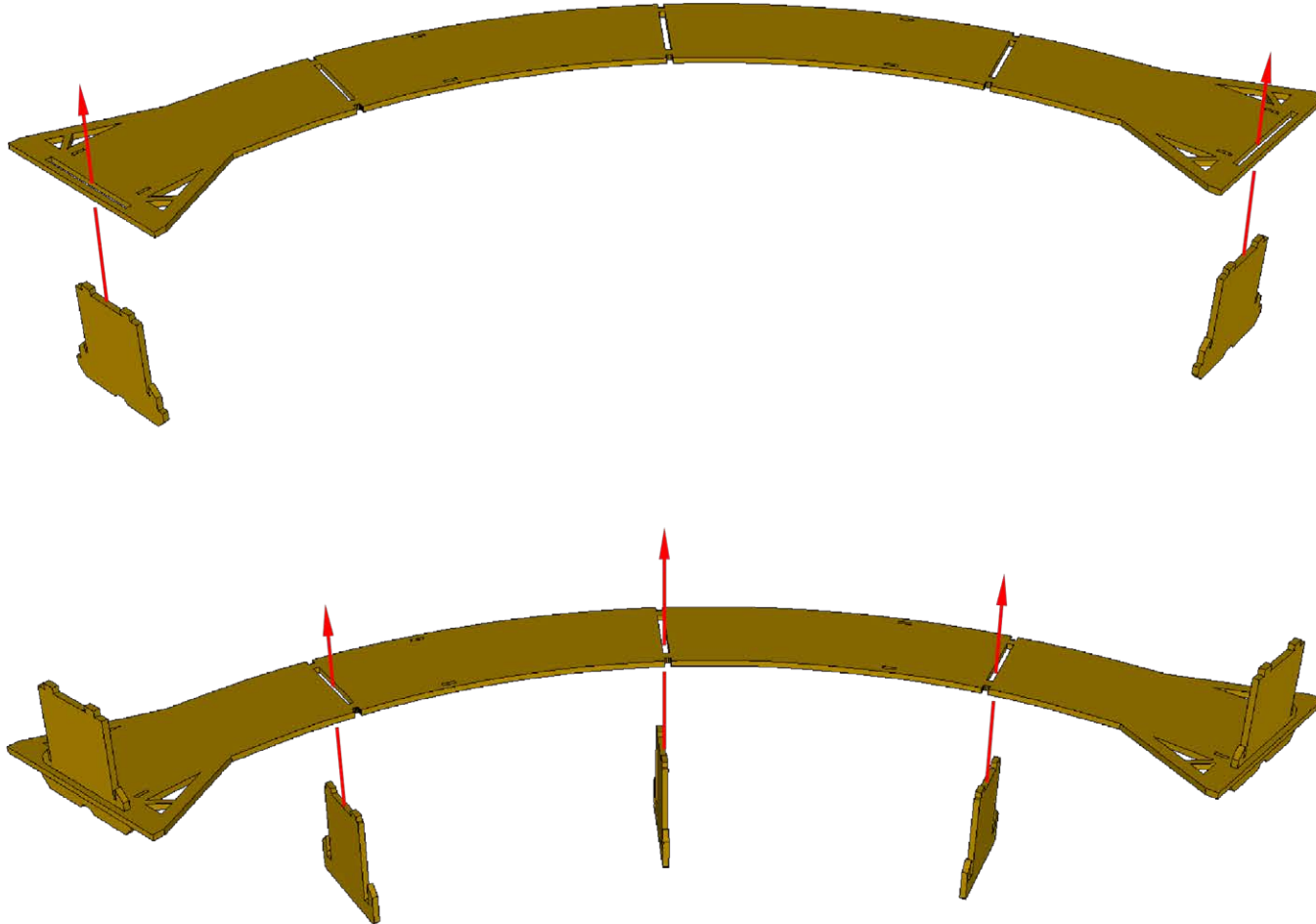


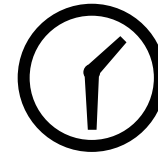
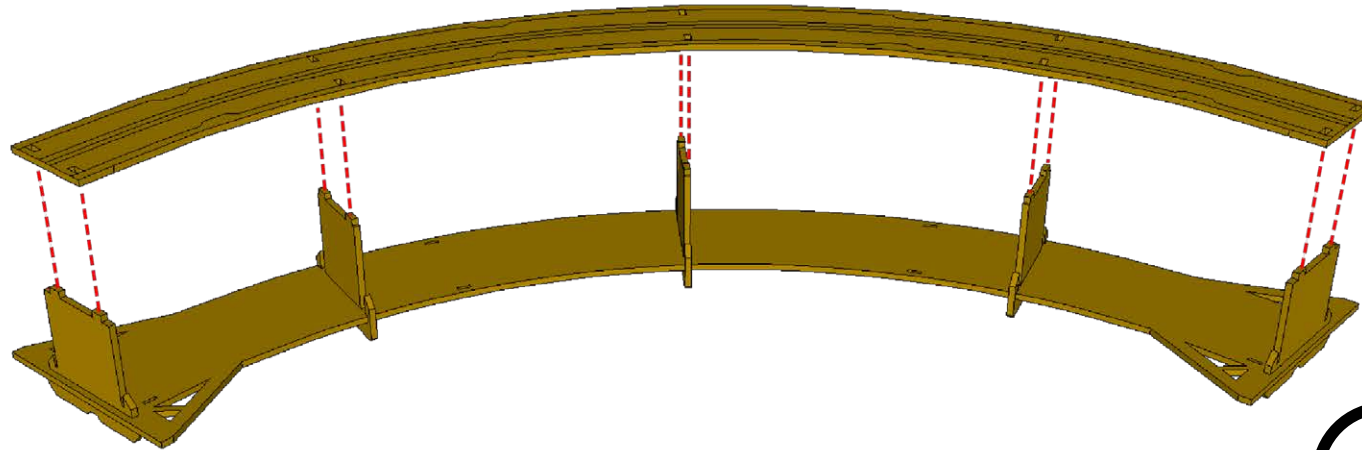
MONORAIL CURVED SECTIONS INSTRUCTIONS



In addition to the usual PVA glue, you will need a set of spring clamps and some superglue to assemble this kit



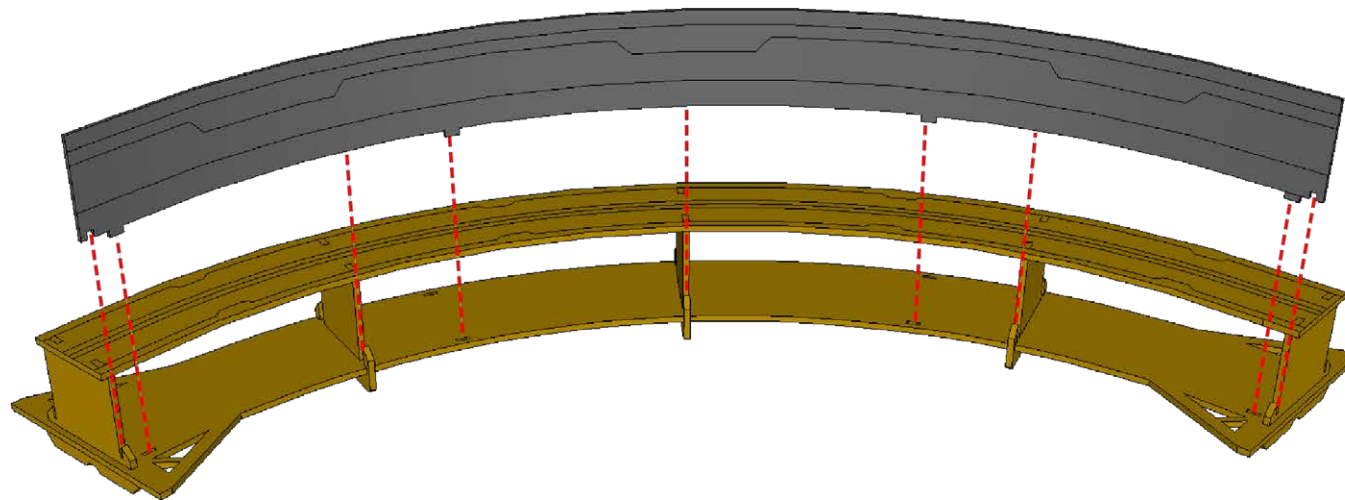
MONORAIL CURVED SECTIONS INSTRUCTIONS



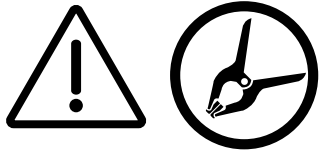
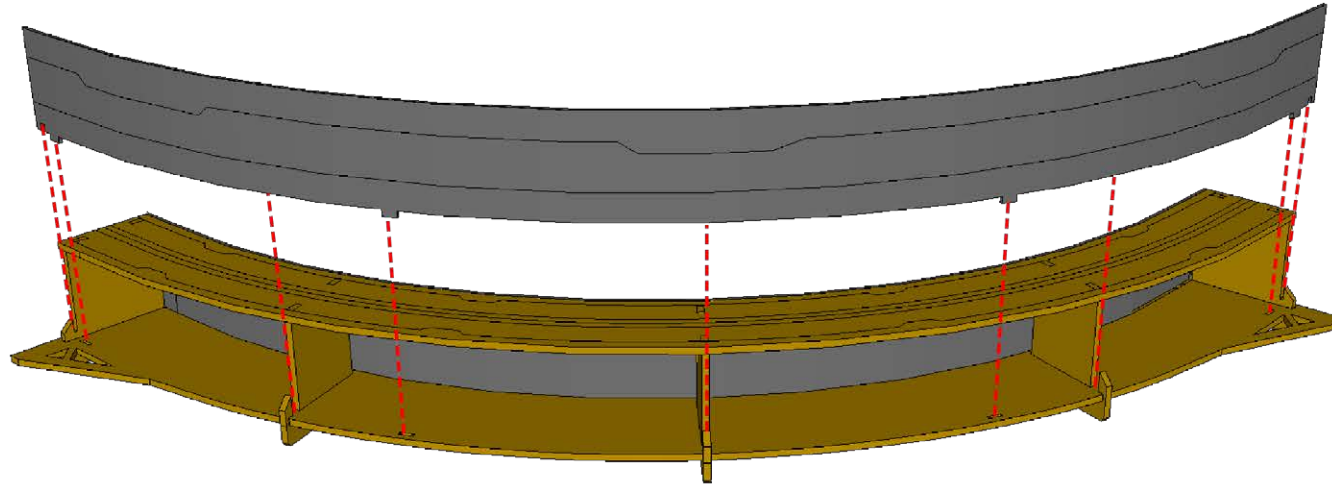
It is not a bad idea to make sure the supports are fully dry and setup before moving onto the sides



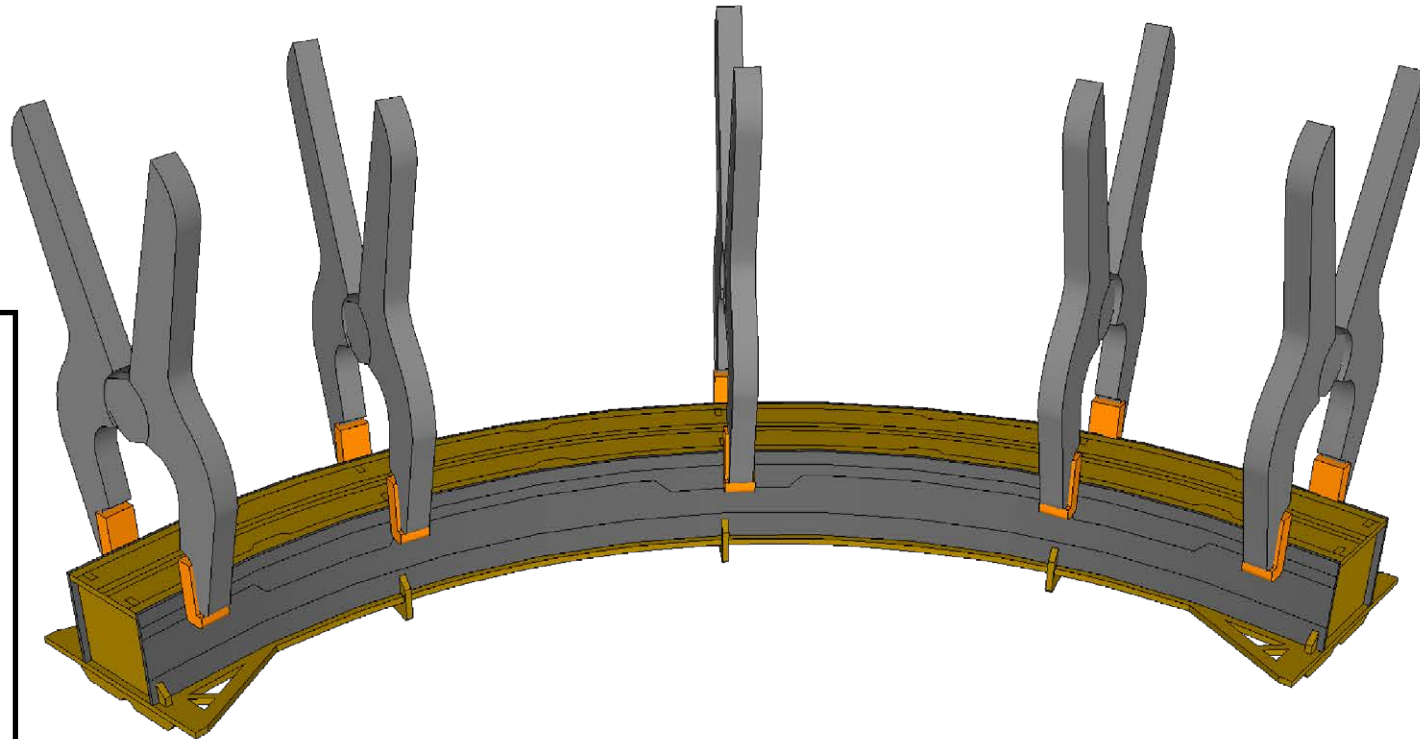
The side pieces of the tracks are made from High Impact Polystyrene. This requires superglue to affix to the MDF parts. Attaching these curved pieces can be tricky, so take care when applying your glue. You will need a bead of superglue running the length of the rail as well as the two end pieces and on the tabs and struts on the bottom. The tabs should help hold the curve but you to move sort of quickly as we will explain further in the next steps



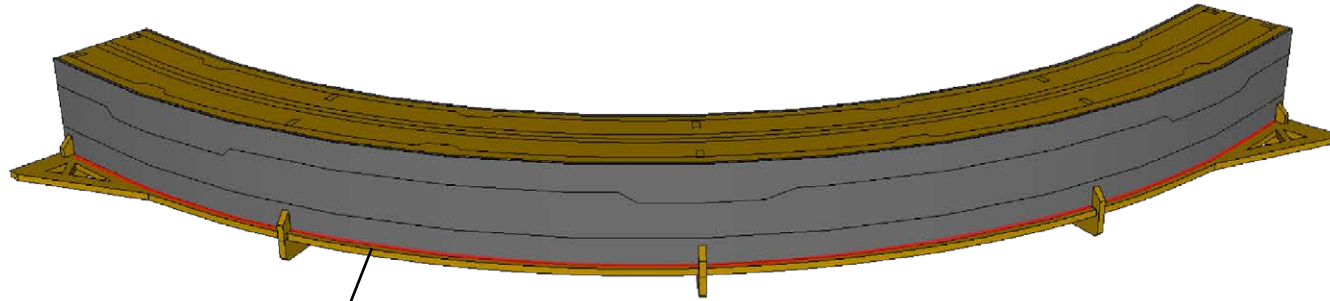
MONORAIL CURVED SECTIONS INSTRUCTIONS



This is where your spring clamps come in. This step is important to get the curve to work properly. Moving quickly while the superglue is still setting, clamp your pieces starting from the INSIDE out. This will ensure the curve is aligned properly and the rail is solid. If you start at the ends, the curved piece will "bulge" out in the middle, so moving from the centre out will prevent this bulging. Use as many clamps as you can



MONORAIL CURVED SECTIONS INSTRUCTIONS



Carefully run a thin bead of superglue along the outside edges of the Polystyrene pieces to reinforce them. Take care with this step as you don't want the glue to obscure the detail too much. If you have access to a brush on superglue that might be helpful here

