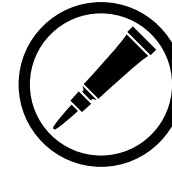
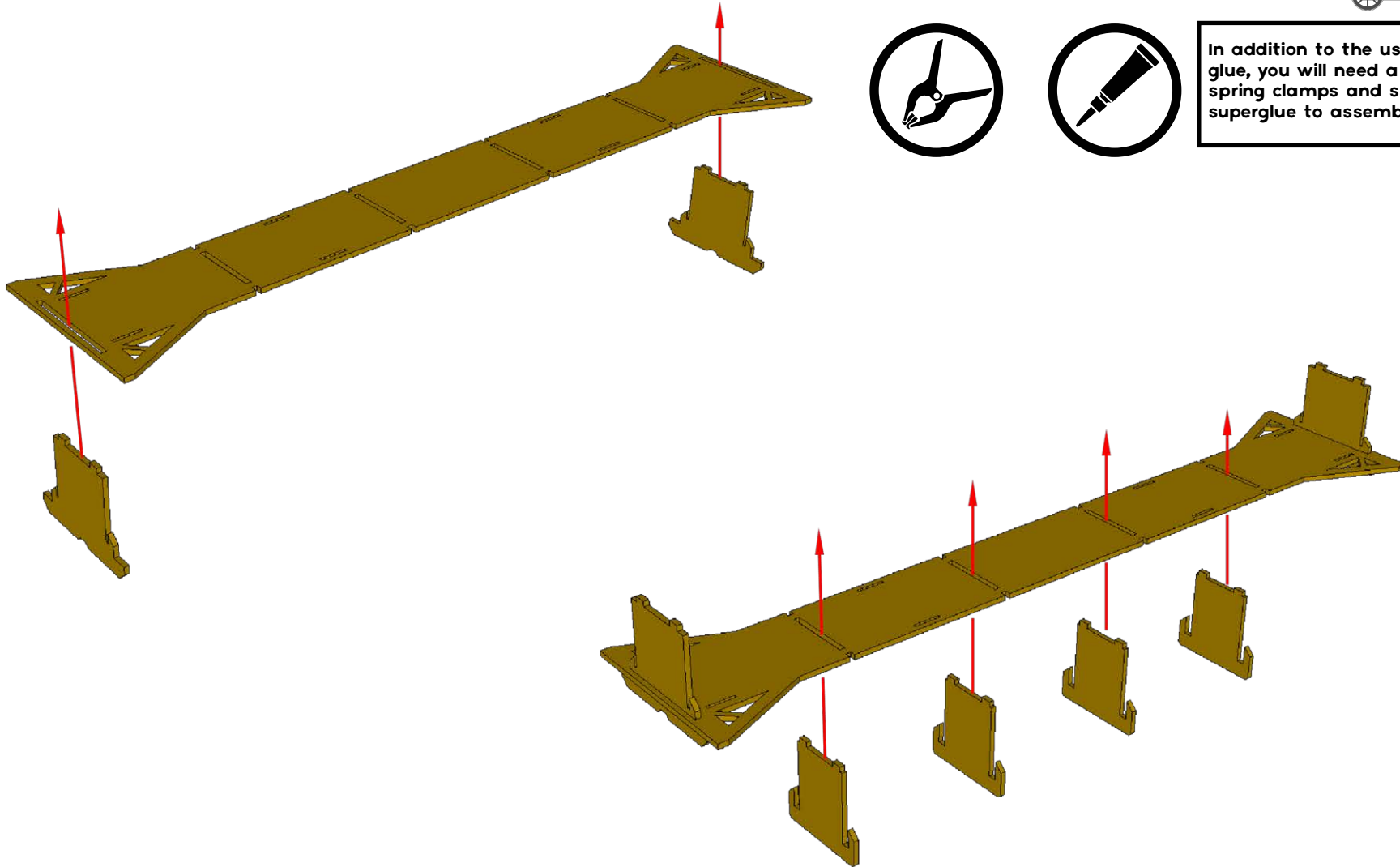
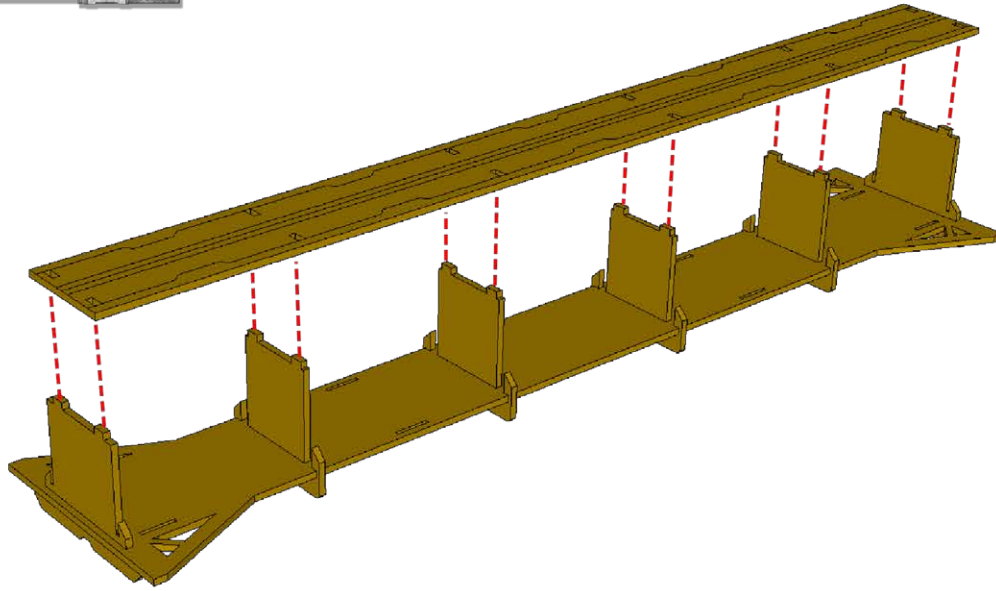


# MONORAIL STRAIGHT SECTIONS INSTRUCTIONS



In addition to the usual PVA glue, you will need a set of spring clamps and some superglue to assemble this kit

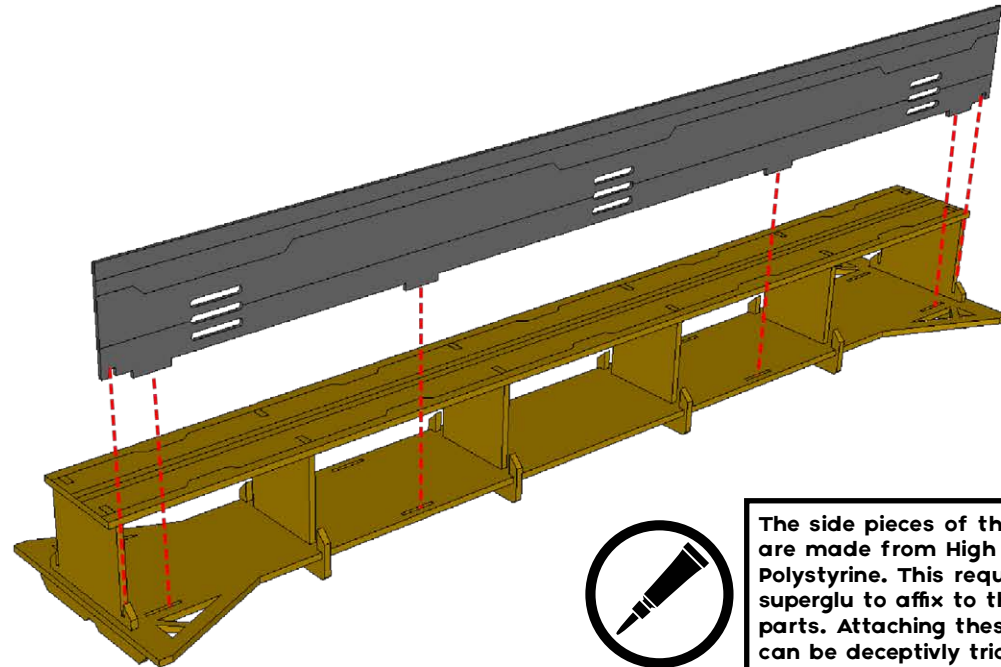
# MONORAIL STRAIGHT SECTIONS INSTRUCTIONS



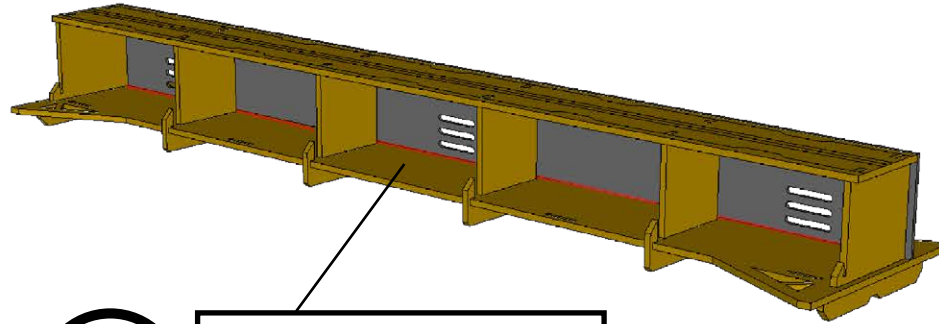
Be careful during this step. It is possible to have the supports accidentally skew to one side or another! Take your time and make sure everything is straight



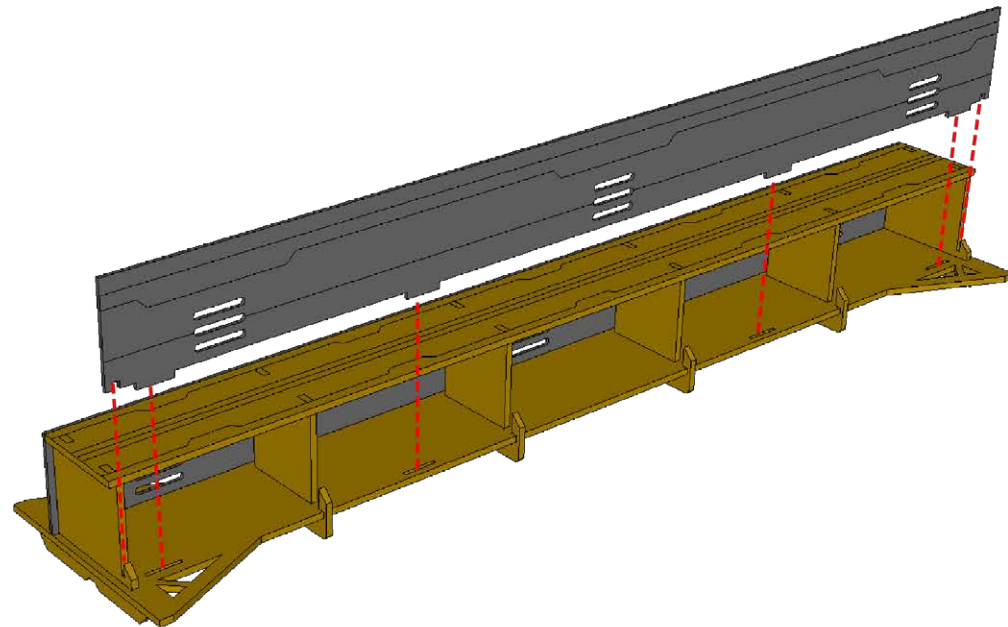
It is not a bad idea to make sure the supports are fully dry and setup before moving onto the sides

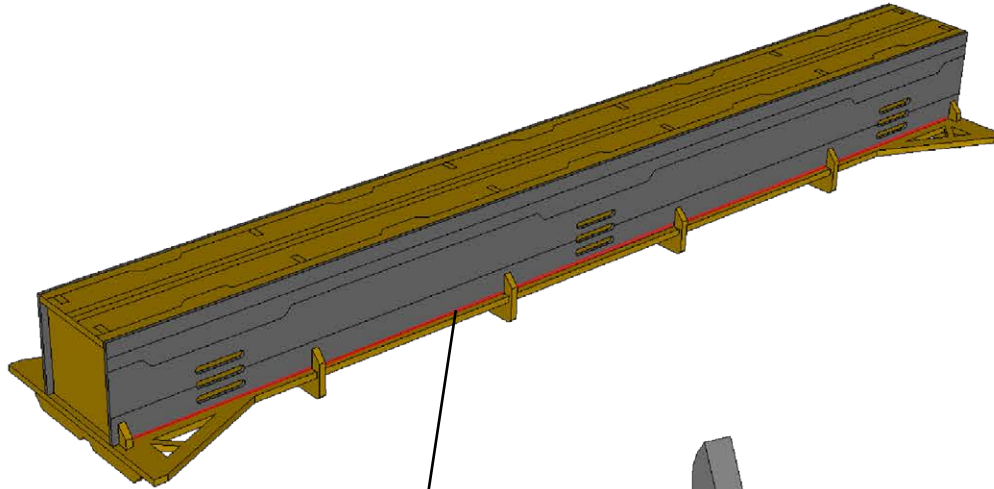


The side pieces of the tracks are made from High Impact Polystyrene. This requires superglu to affix to the MDF parts. Attaching these pieces can be deceptivly tricky, so take care qhwn applying your glue. You will need a bead of superglue running the length of the rail as well as the two end pieces and on the tabs at teh bottom

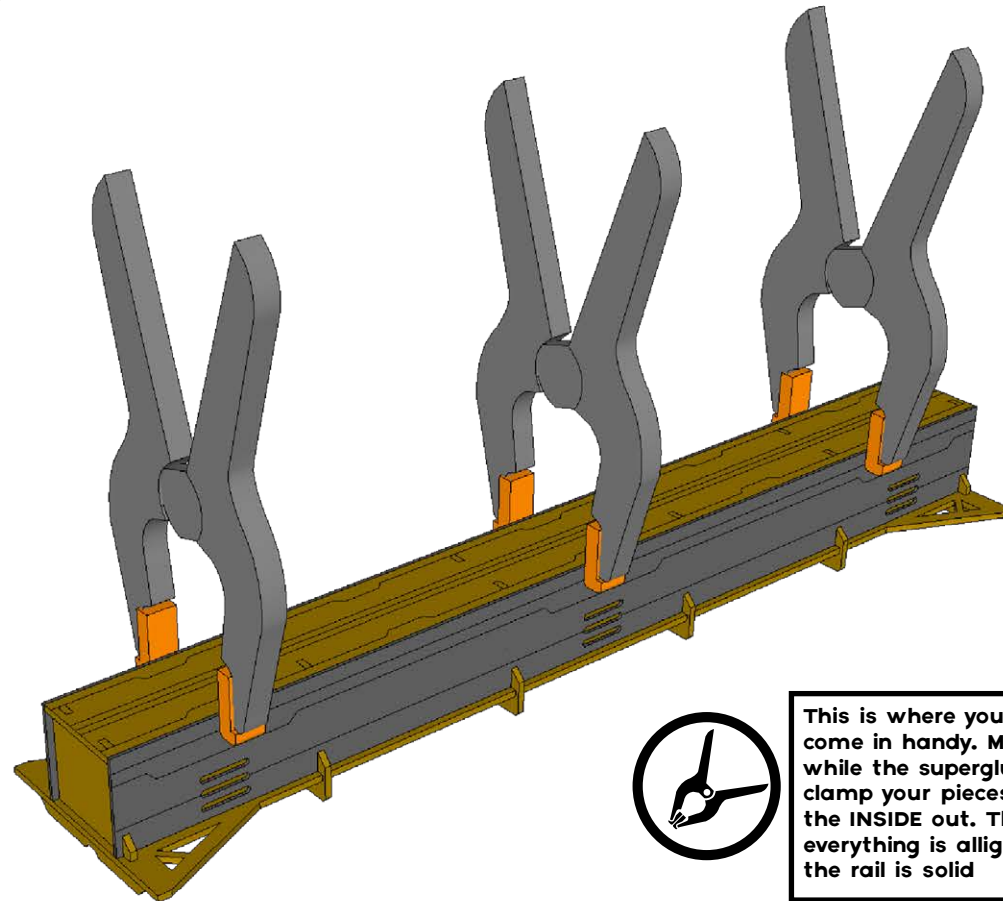


Carefully run a thin bead of superglue along the inside edge of the Polystyrene piece to reinforce it





Carefully run a thin bead of superglue along the outside edge of the second Polystyrene piece to reinforce it. Take care with this step as you don't want the glue to obscure the detail too much. If you have access to a brush on superglue that might be helpful here



This is where your spring clamps come in handy. Moving quickly while the superglue is still setting, clamp your pieces starting from the INSIDE out. This will ensure everything is aligned properly and the rail is solid