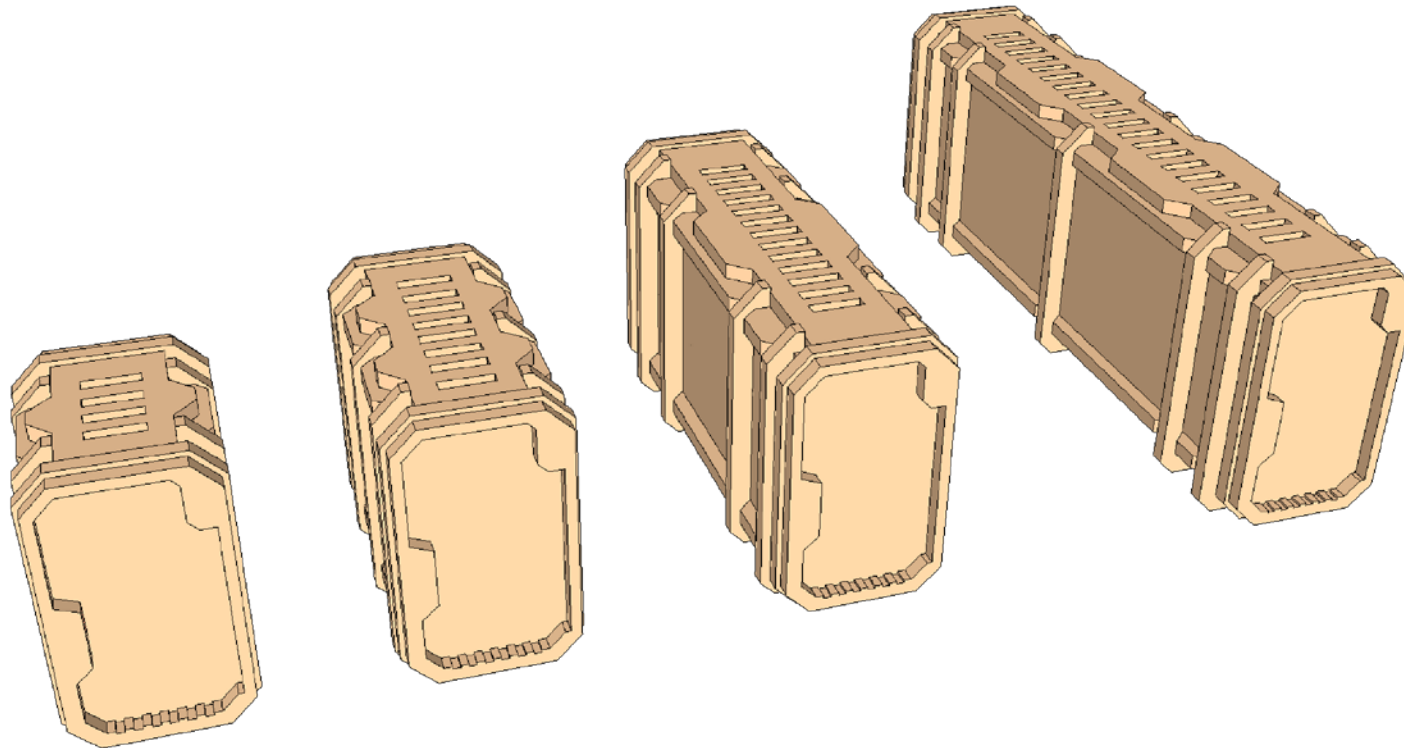


TRCB013 Narrow Airlocks & TRCB012 Wide Airlocks



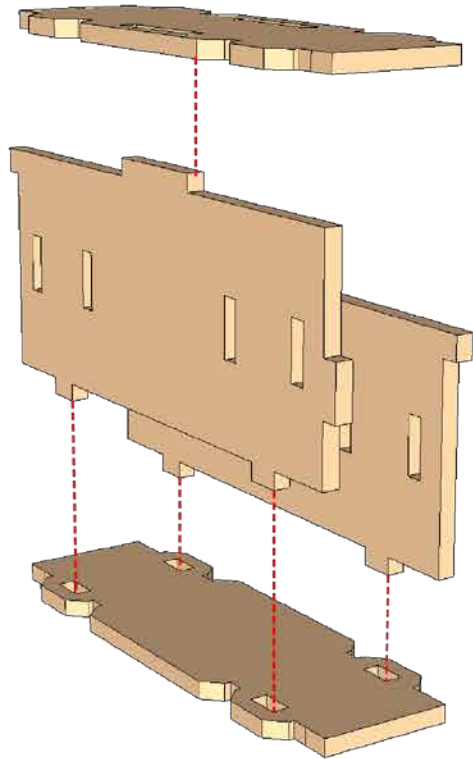
There are 4 sizes of Narrow Airlocks and 4 sizes of Wide Airlocks. Each is assembled in a similar fashion, however we have used only one of the Narrow Airlocks to show you the process.

We have pointed out some parts you may choose to paint before assembling this model so read through the instructions and become familiar with the parts before you begin.

TRCB013 Narrow Airlocks & TRCB012 Wide Airlocks

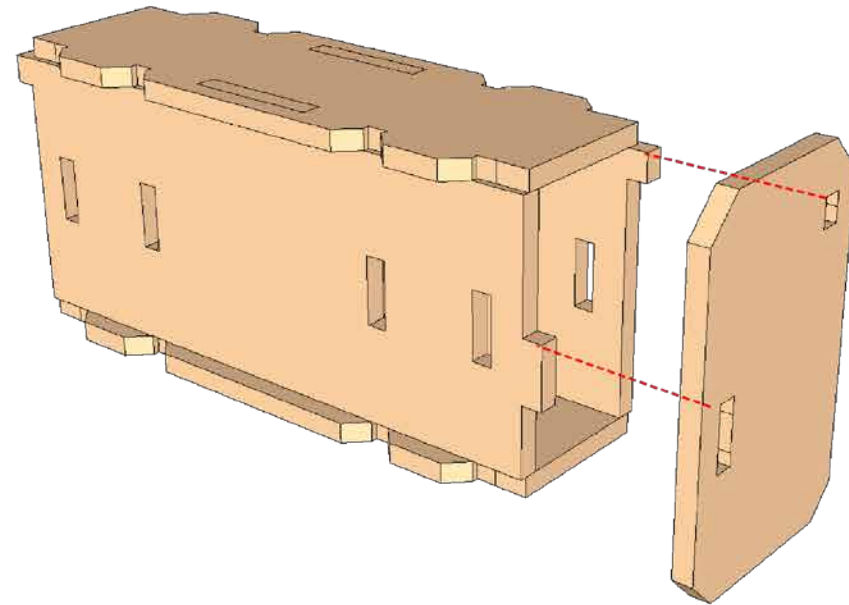


STEP 1



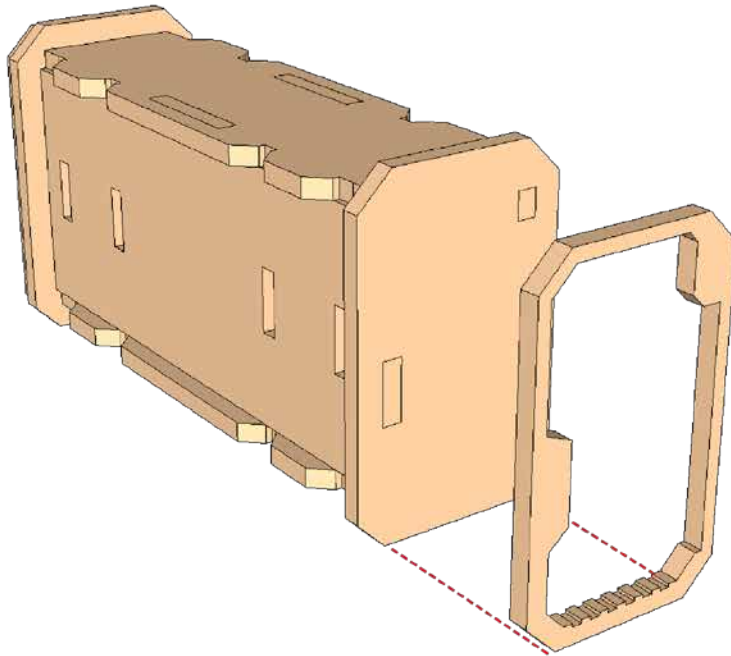
Tabs on the upper and lower parts of the walls are different for each of the Narrow Airlocks. It will be impossible to install them the wrong way. Start by placing the walls into the bottom layer and then fitting the 'roof' in place.

STEP 2



The end plates are what provide the airlock structural integrity and 'square' everything up. They also form the face of the door. You may want to paint this part separately before gluing it to the Airlock if you want it to be a different colour.

STEP 3



The door trim does not connect or plug onto anything, it is simply glued in place.

It is best to do this on a level surface.

Place the Airlock on the table as shown, and then apply glue to the back of the door trim and slid it into place. The bottom of the door trim should be level with the bottom of the end plate.

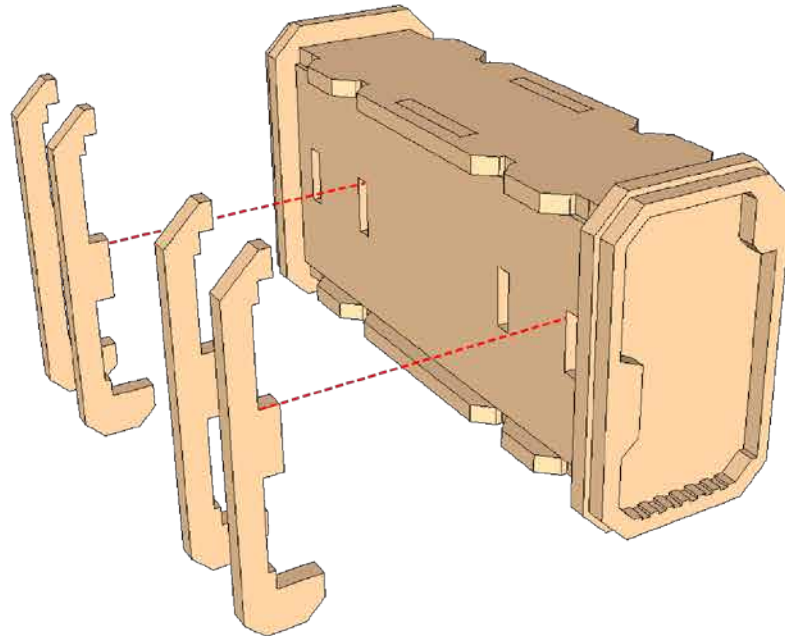
There should be a small difference between the end plate and the door trim. You will notice the door trim is slightly smaller, try and line it up in the middle of the end plate.

You may also like to paint this part seperately if you want the door trim to be a different colour.

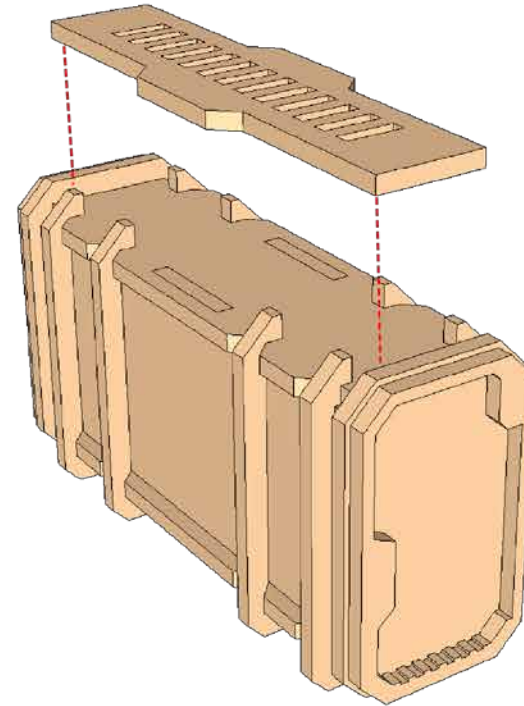
TRCB013 Narrow Airlocks & TRCB012 Wide Airlocks



STEP 4



STEP 5



If you want the components in Step 4 and Step 5 to be a different colour than the main body of the Airlock we recommend painting them before assembling them.

The components shown in Step 4 are repeated on the other side of the model.

TRCB013 Narrow Airlocks & TRCB012 Wide Airlocks



COMPLETE!!

**Congratulations, you have completed
building your Narrow Airlocks!**

