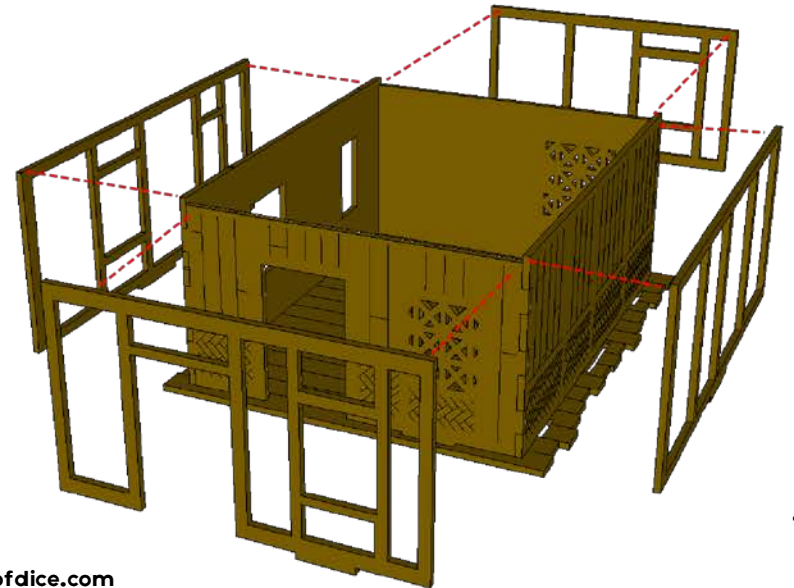
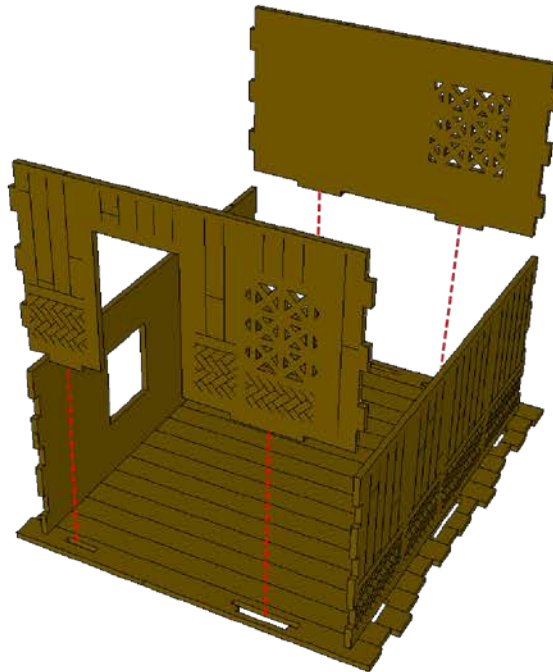
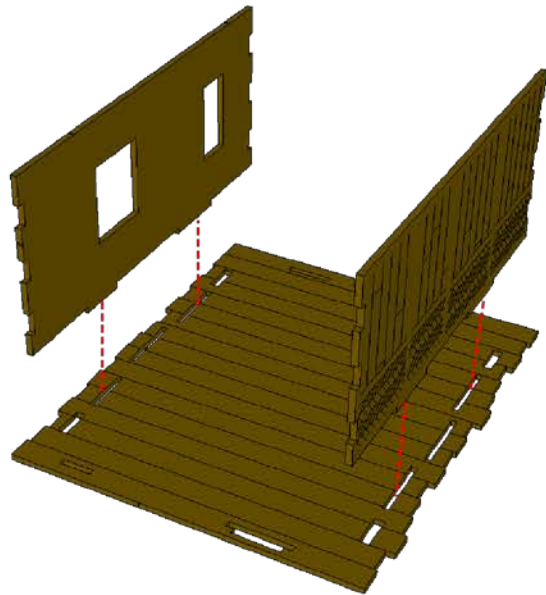
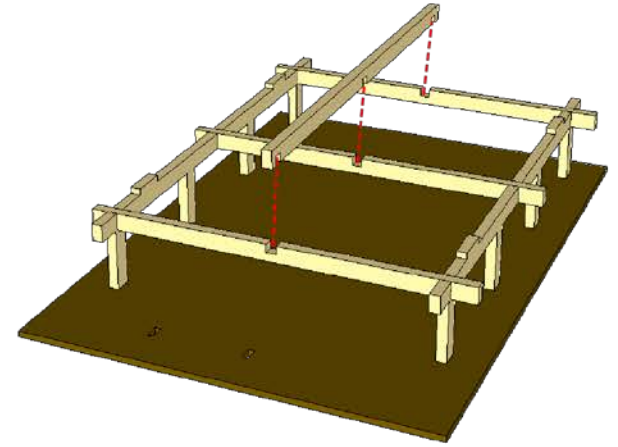
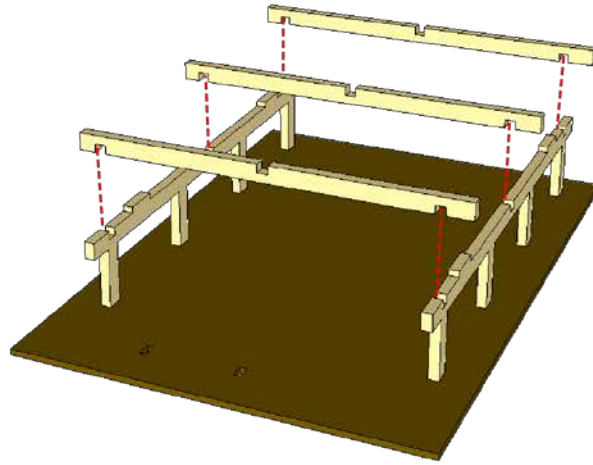
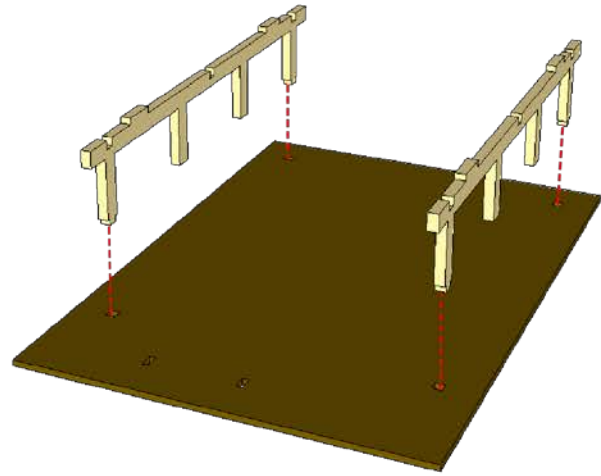
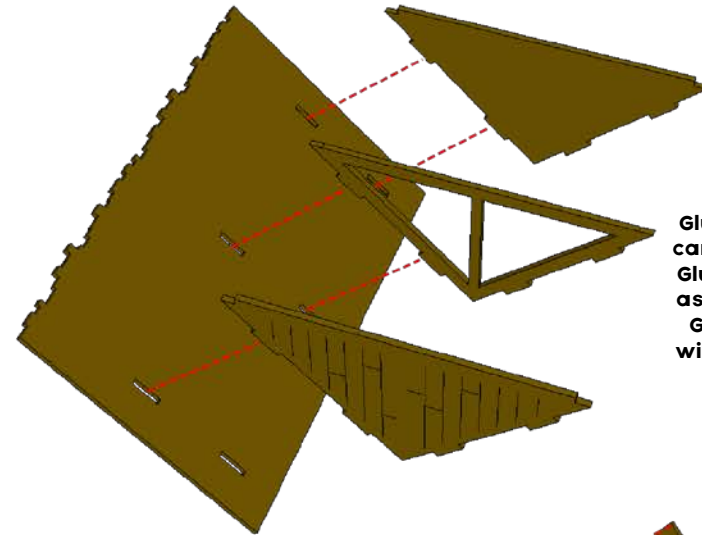
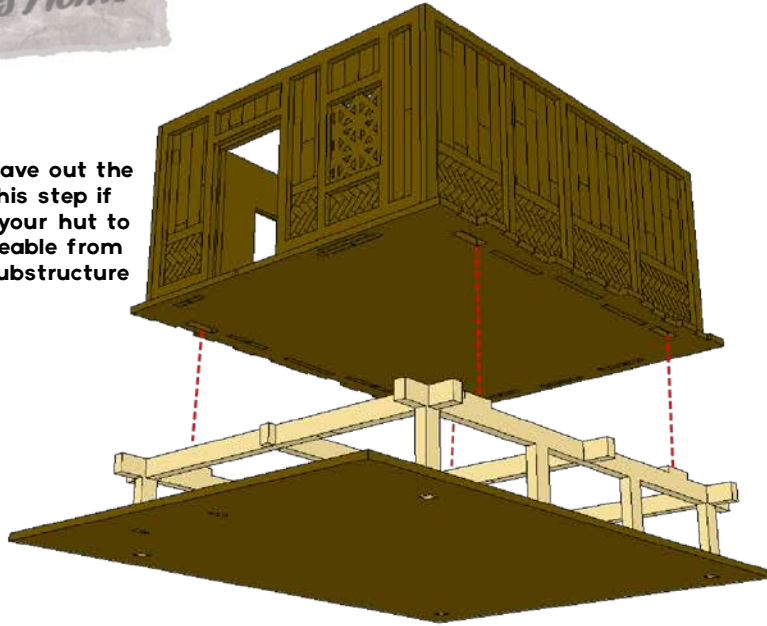


# PACIFIC HUT 2 INSTRUCTIONS

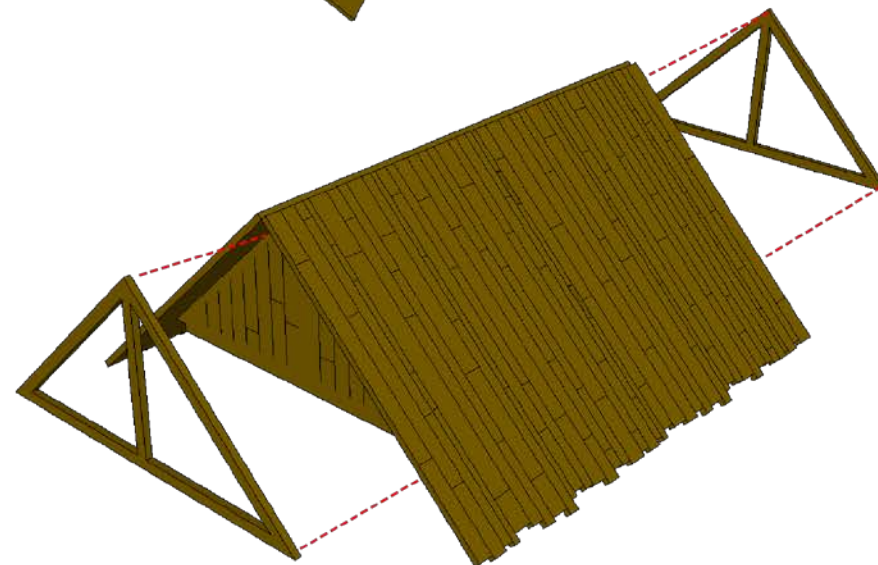
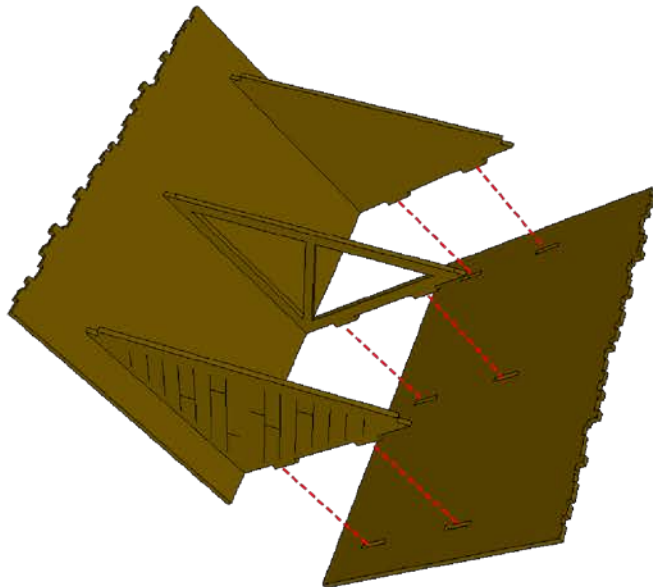


# PACIFIC HUT 2 INSTRUCTIONS

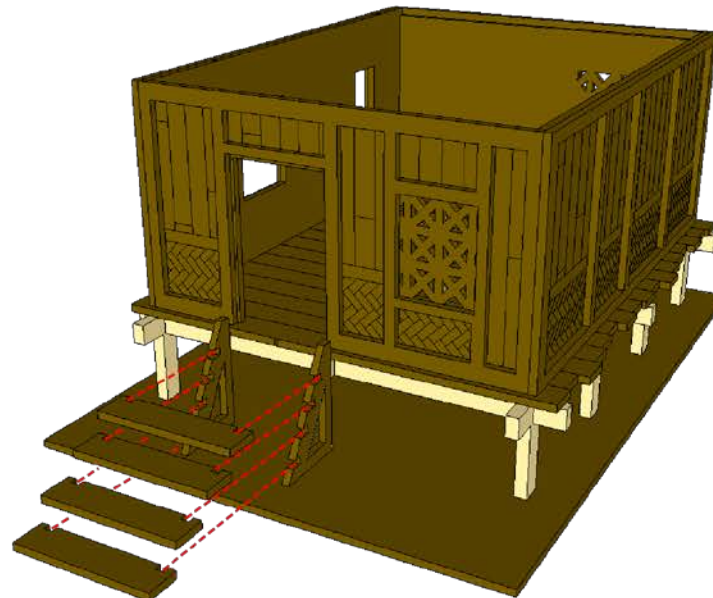
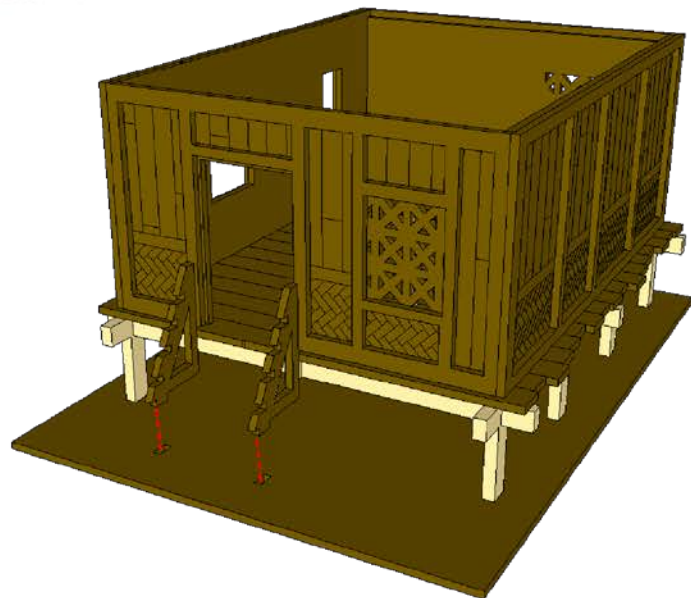
You can leave out the glue in this step if you want your hut to be removable from the stilt substructure



Gluing the roof together can be deceptively tricky. Glue one side then set it aside to dry for a while. Gluing the second side will then be much easier



# PACIFIC HUT 2 INSTRUCTIONS



Roofs are designed to be removable for interior access

