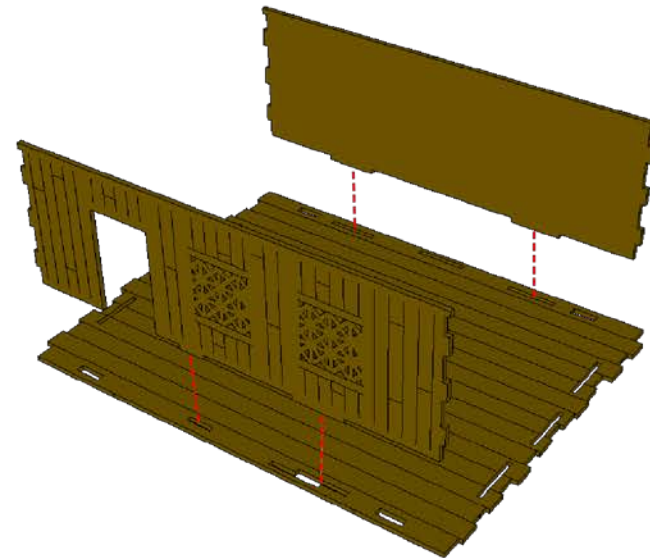
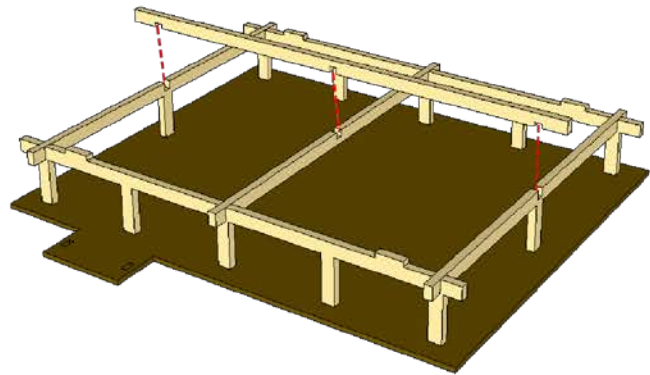
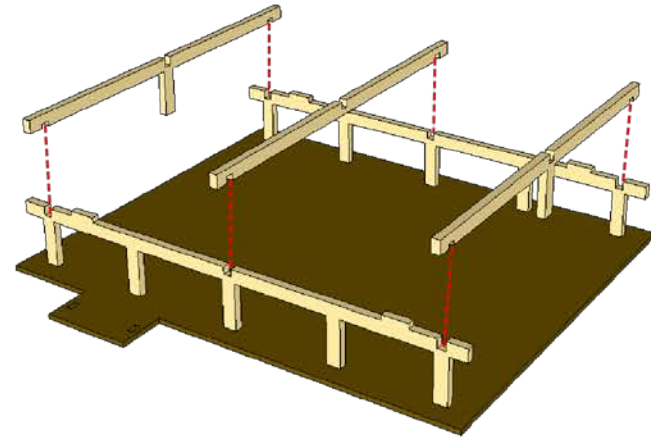
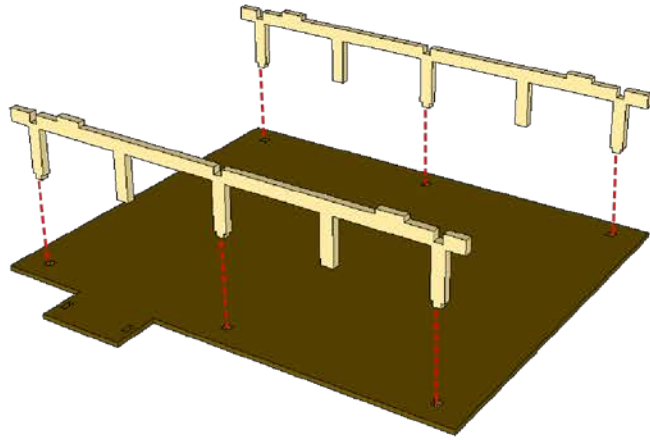
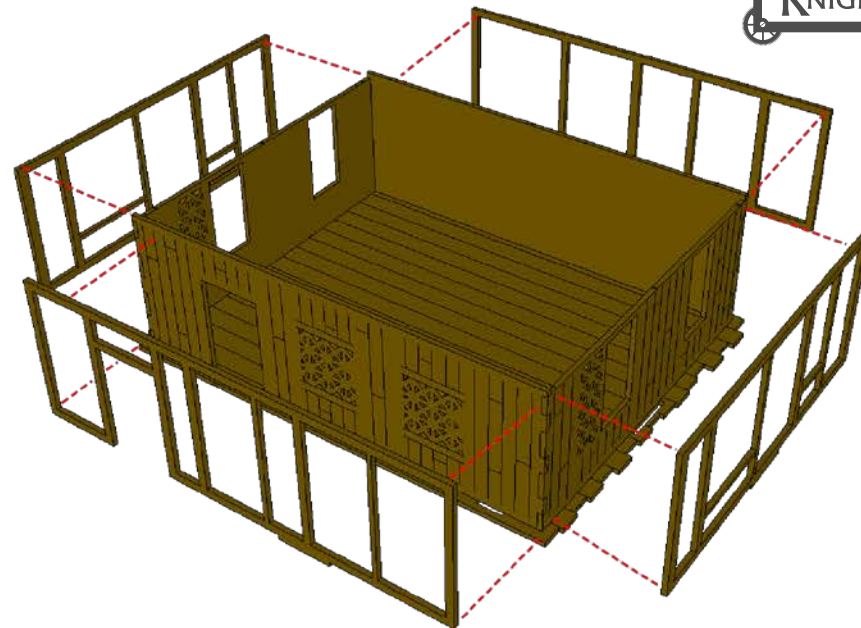
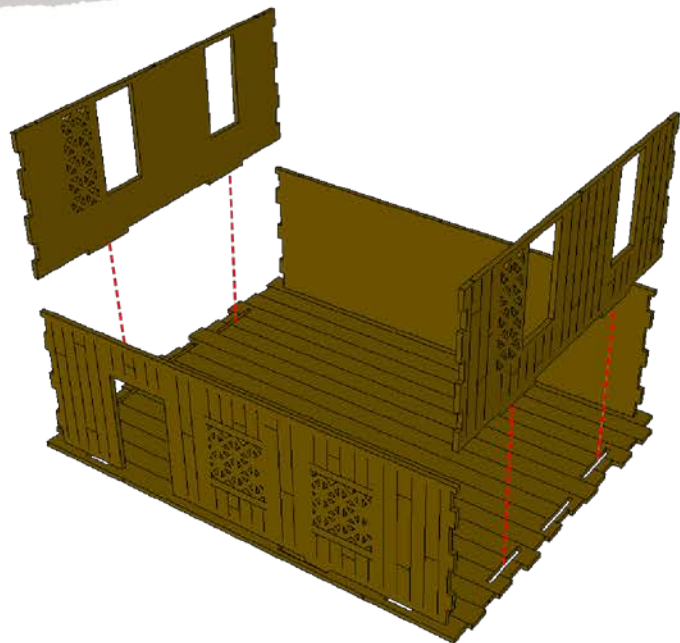


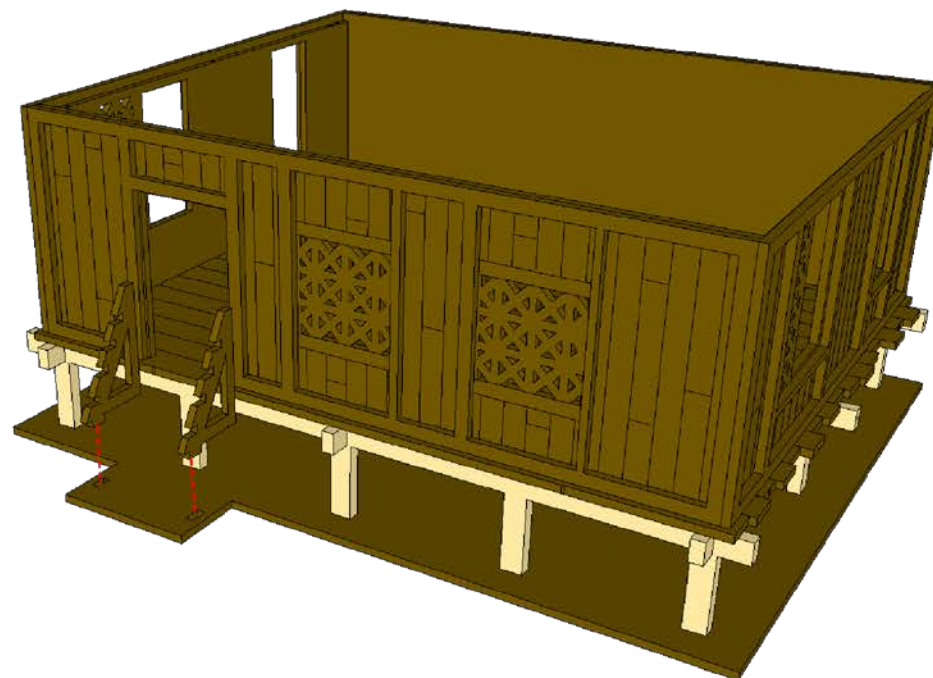
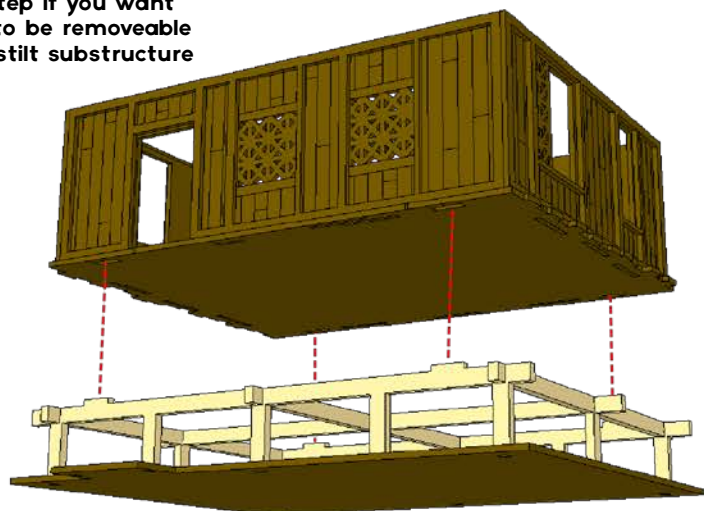
PACIFIC HUT 1 INSTRUCTIONS



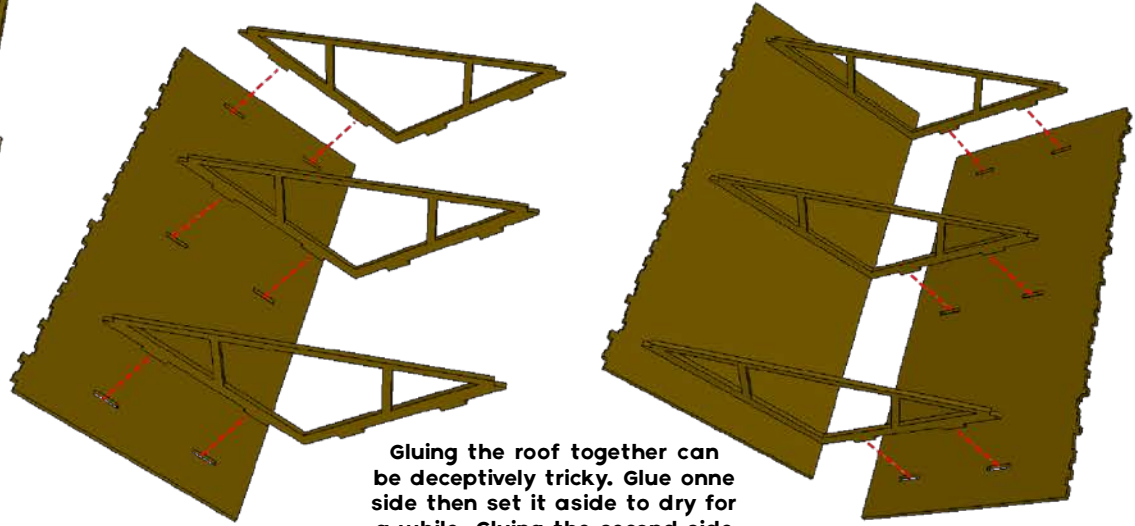
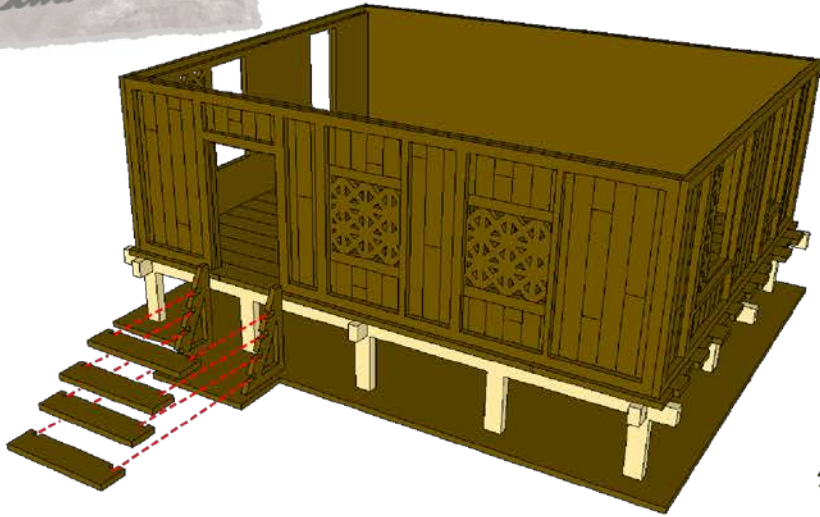
PACIFIC HUT 1 INSTRUCTIONS



You can leave out the glue in this step if you want your hut to be removable from the stilt substructure



PACIFIC HUT 1 INSTRUCTIONS



Gluing the roof together can be deceptively tricky. Glue one side then set it aside to dry for a while. Gluing the second side will then be much easier

Roofs are designed to be removable for interior access

