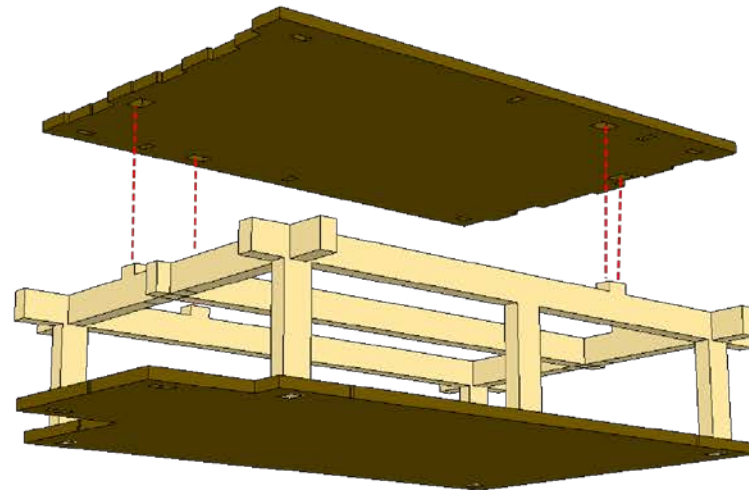
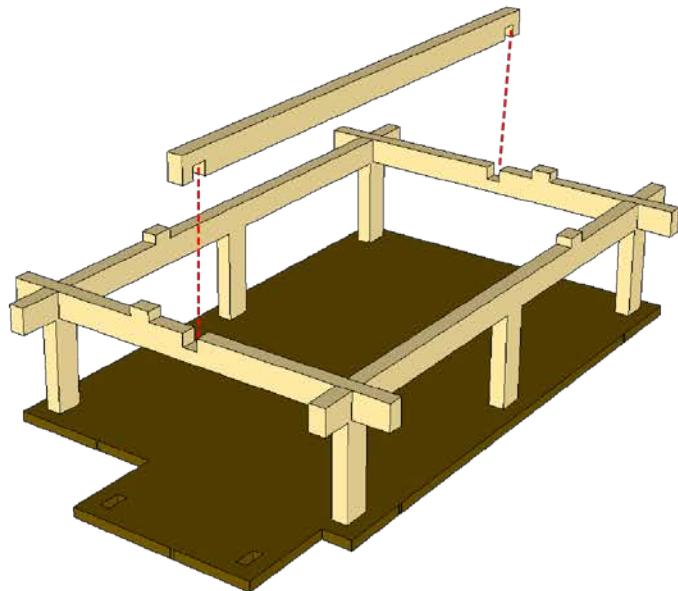
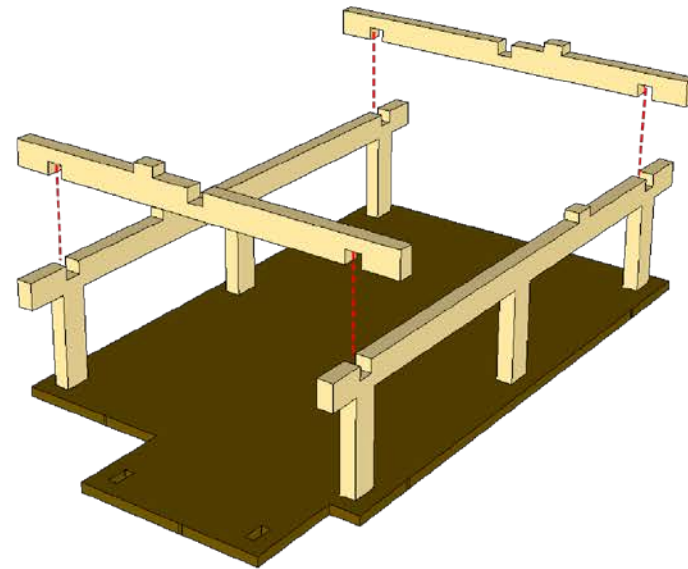
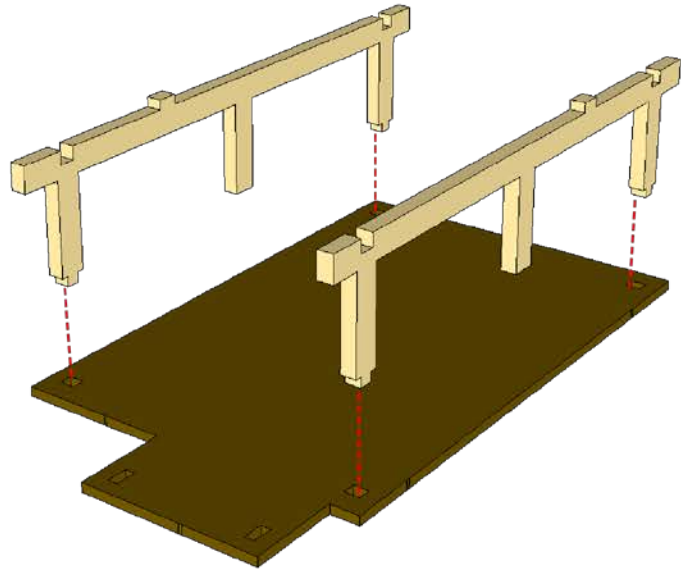
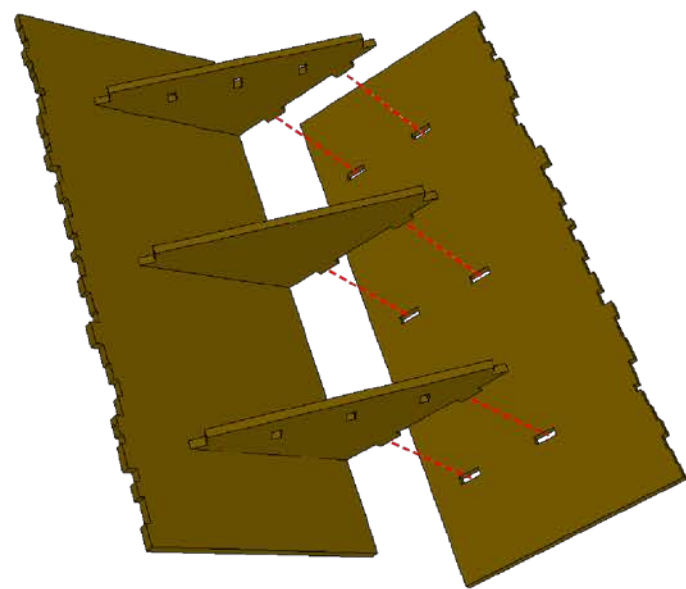
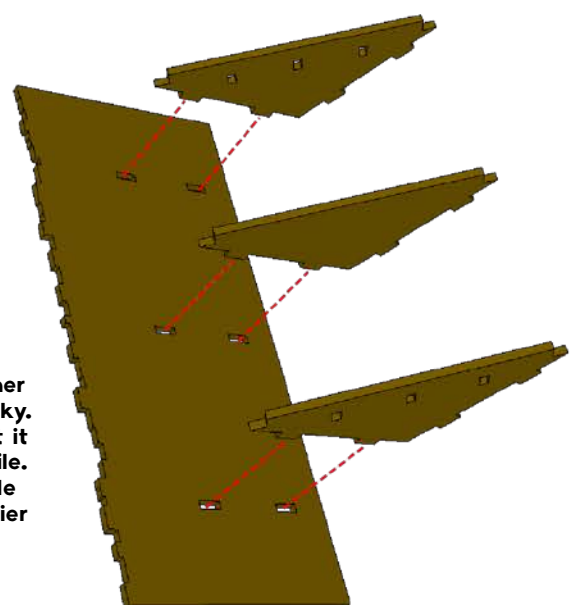
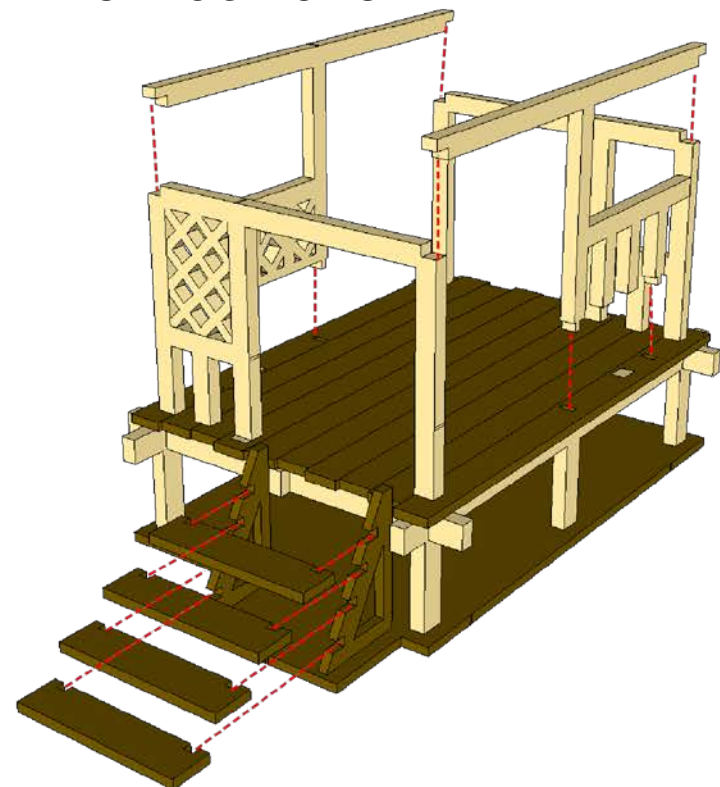
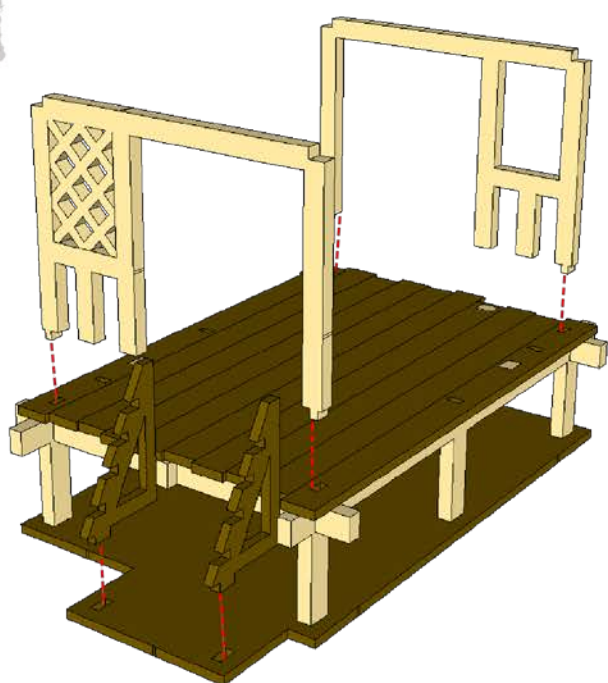


PACIFIC HUT 9 INSTRUCTIONS

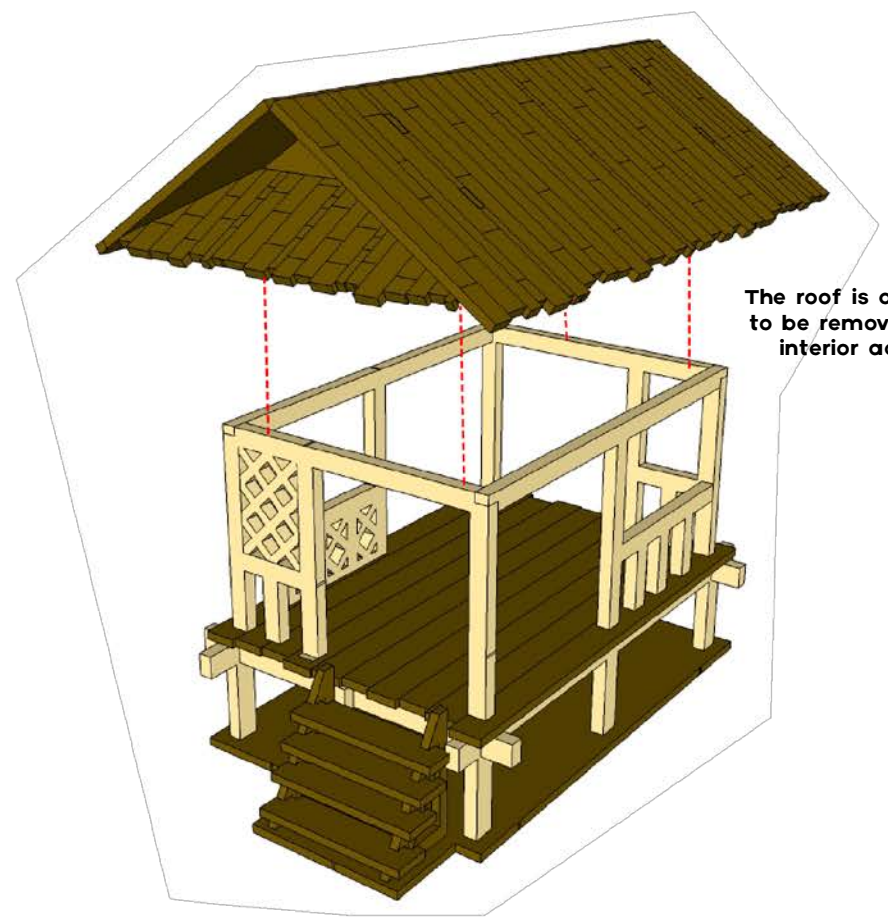
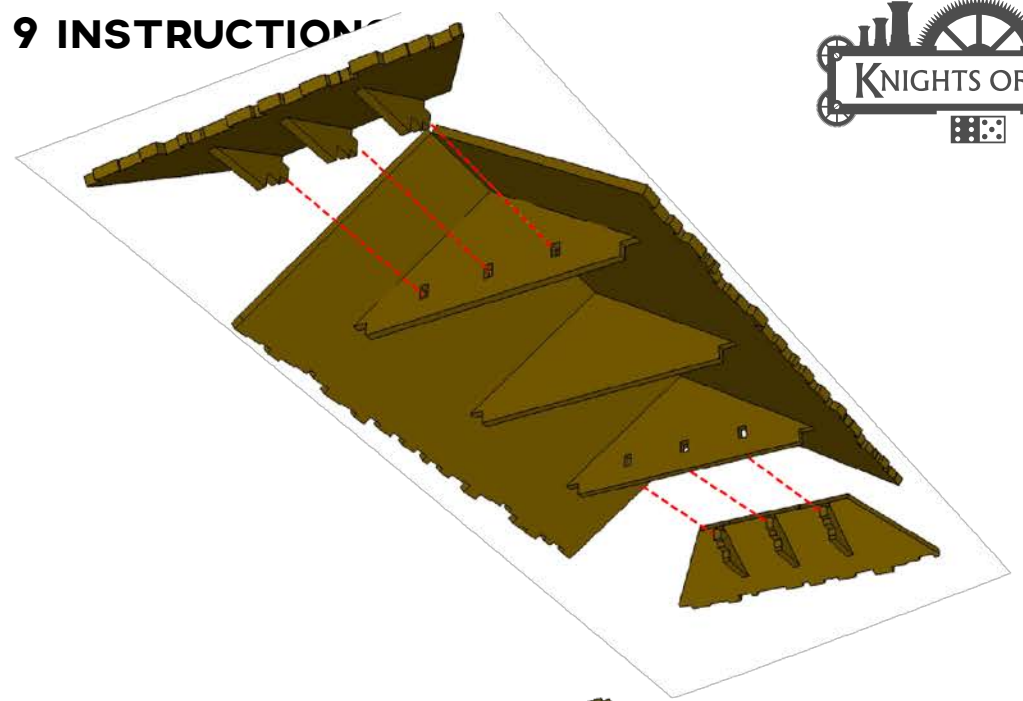
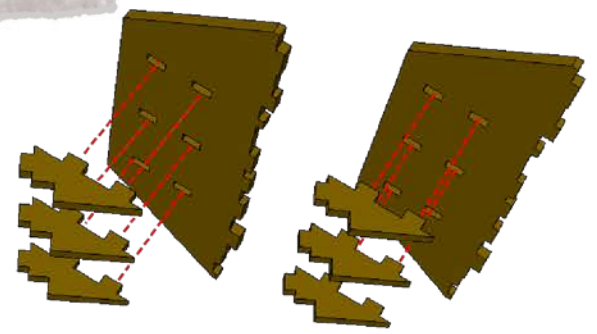


PACIFIC HUT 9 INSTRUCTIONS



Gluing the roof together can be deceptively tricky. Glue one side then set it aside to dry for a while. Gluing the second side will then be much easier

PACIFIC HUT 9 INSTRUCTIONS



The roof is designed to be removable for interior access

