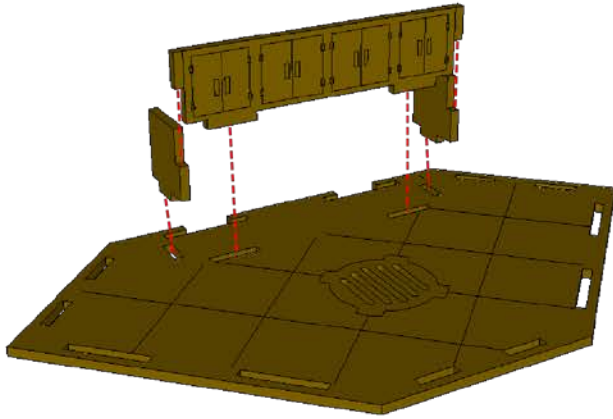
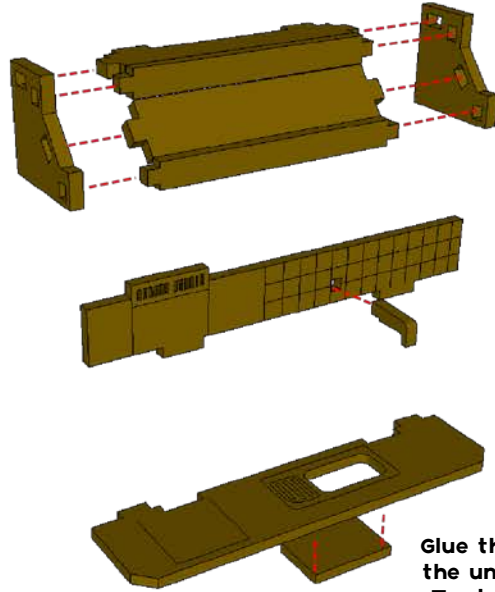


FOOD VENDORS INSTRUCTIONS

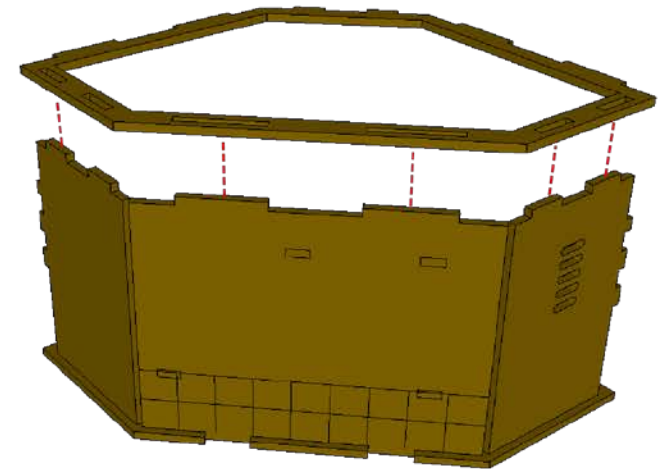
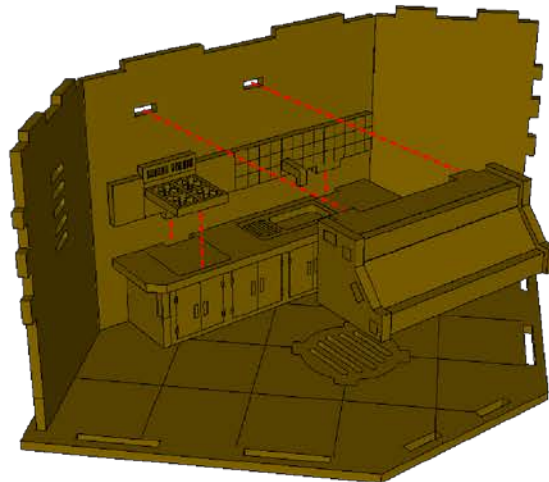
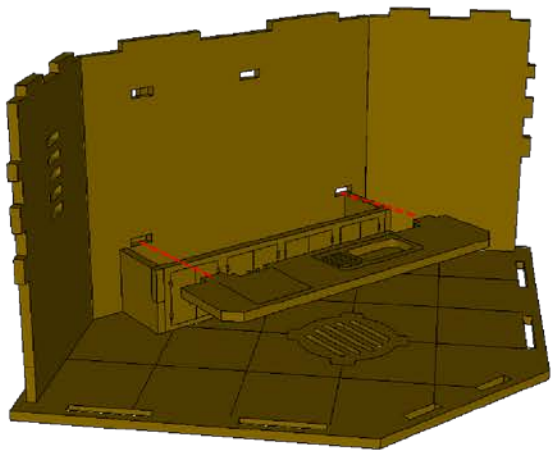
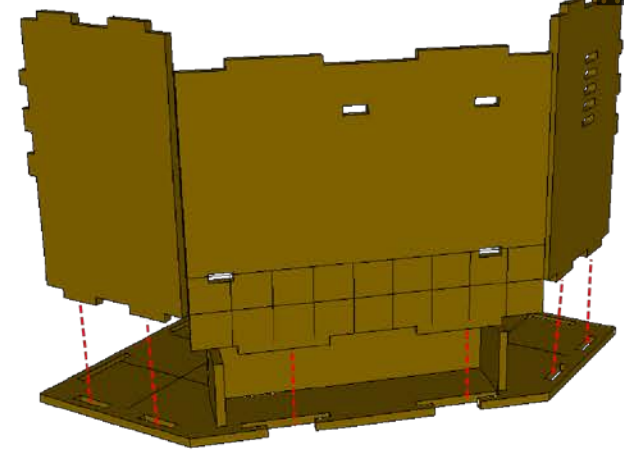


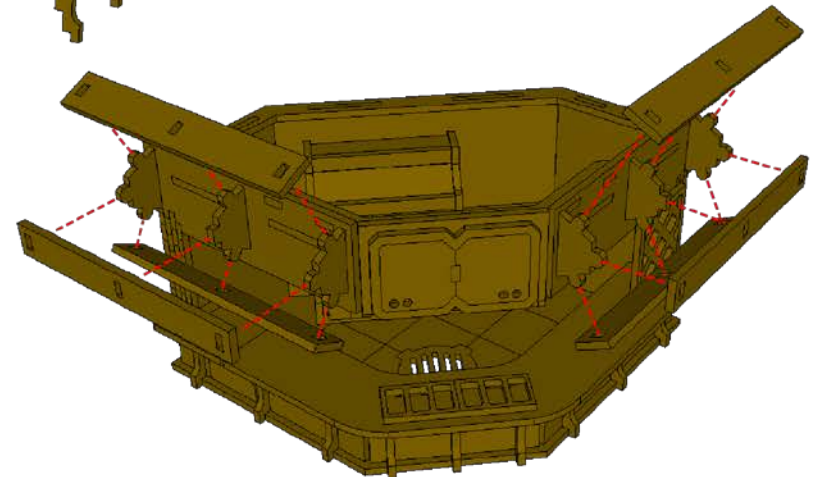
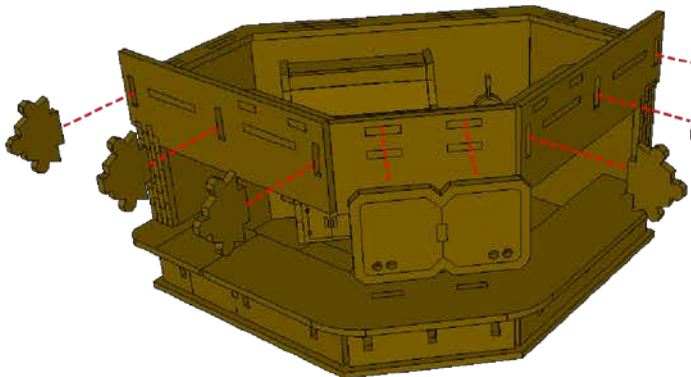
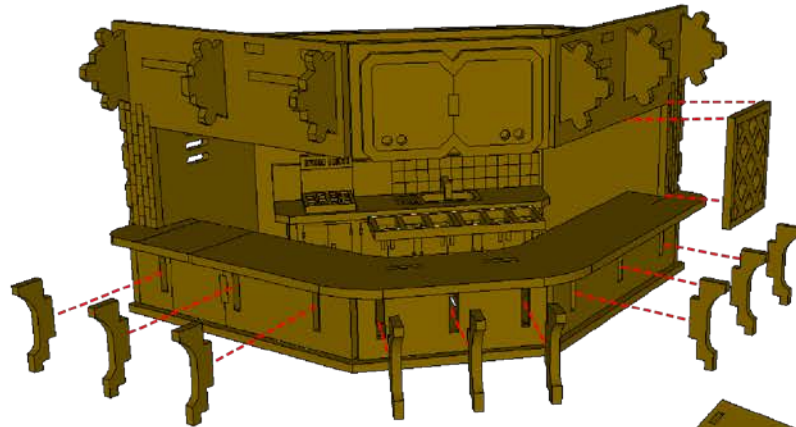
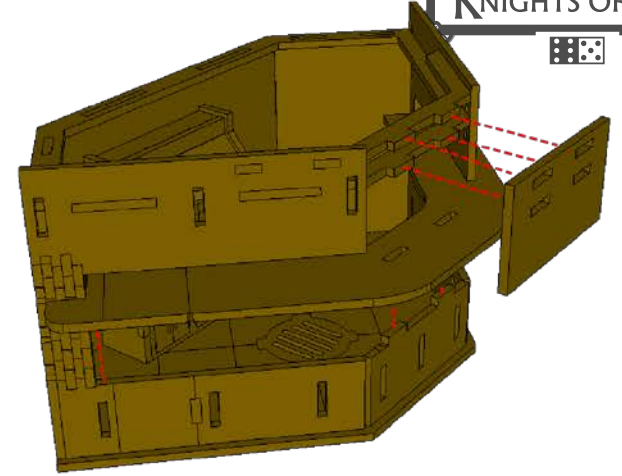
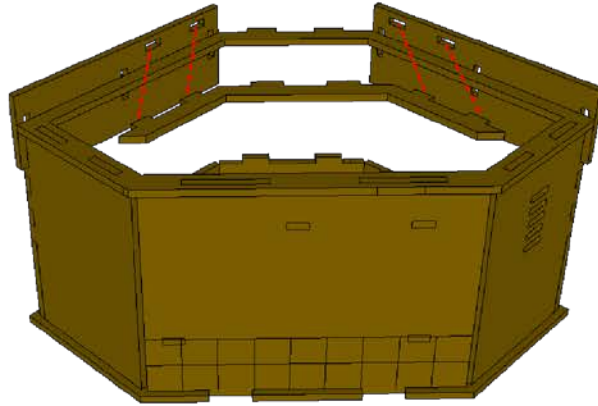
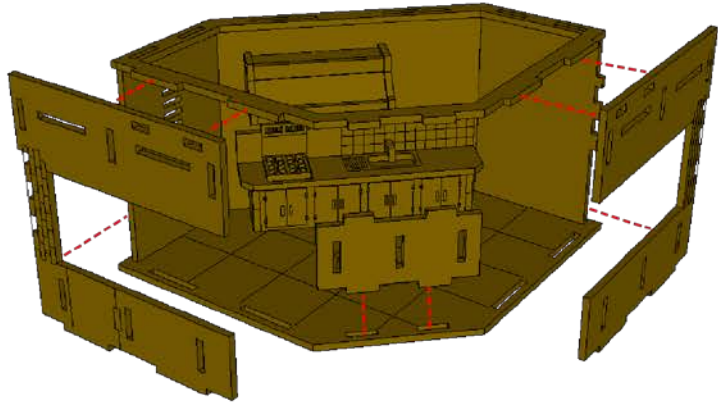
Each of the Food Vendor Kits assembly identically, its just the details that vary. Therefore we have created one set of instructions. Enjoy building!

Some of the components in this kit might benefit from painting in sub-assemblies as they might be hard to reach once the kit is assembled. Study these instructions carefully and you can plan out how you want to tackle painting this kit. Be careful with tabs while pre-painting parts as it can mess with tolerances (we recommend either masking off tabs before painting or sanding or filing them back after painting to ensure everything fits).

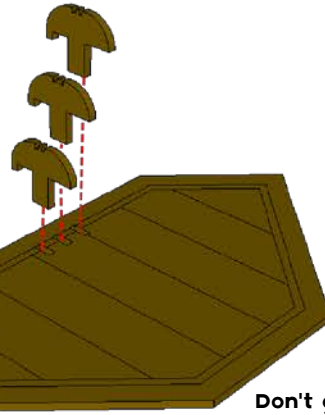
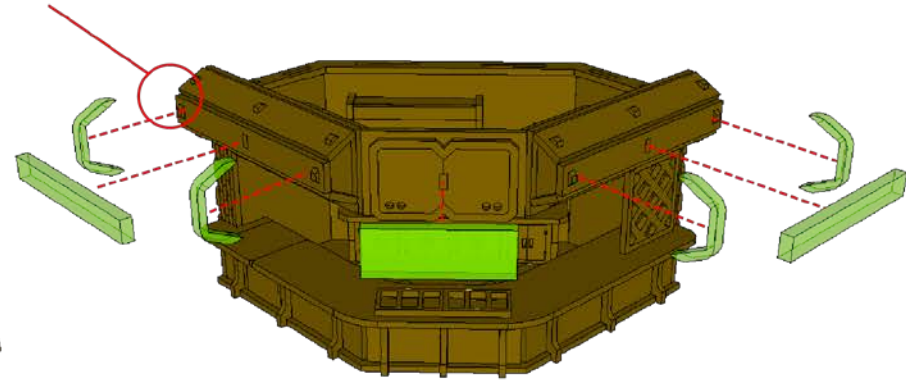
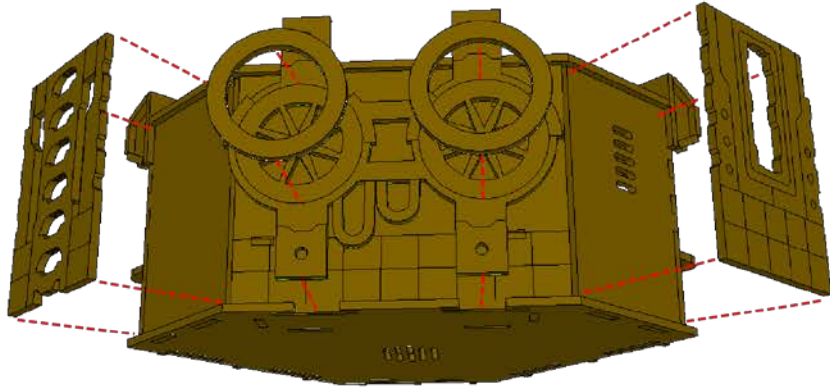


Glue the plain rectangle to the underside of the sink. Try to glue it as close to the back of the bench-top to allow room for the cabinet underneath.





Not all tabs are created equal! There are two brace pieces with flat center pegs. These go in the centre of each wall.



The chopping boards, knives and pans are designed to glue anywhere you want to dress up your model

Don't glue your roof on, its designed to be removable to allow interior access!

