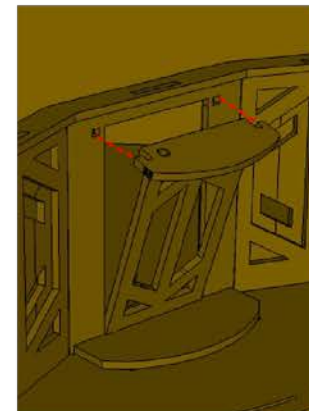
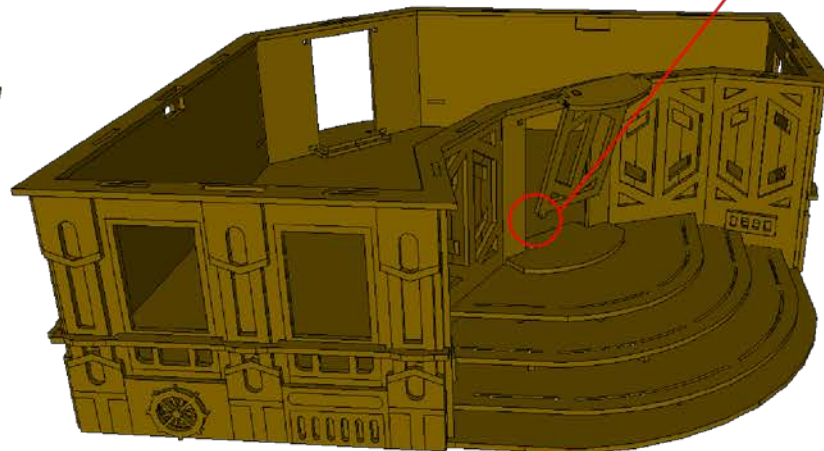
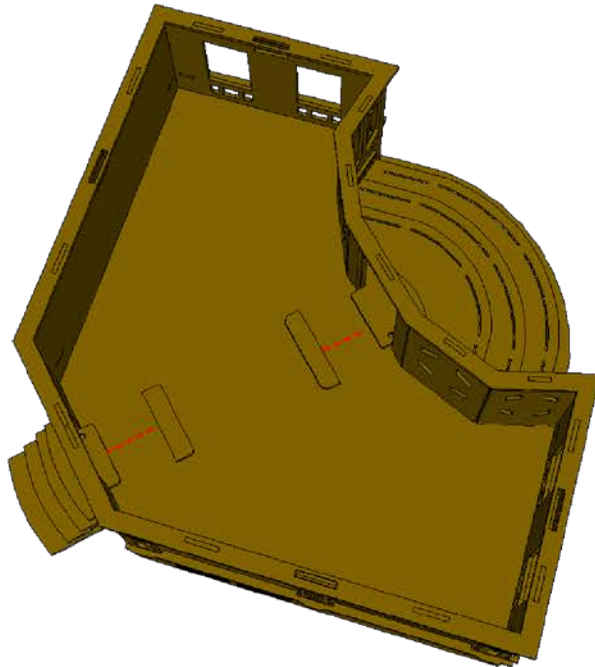
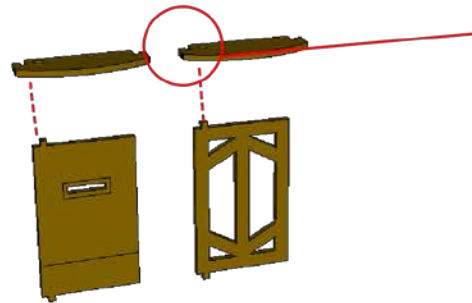
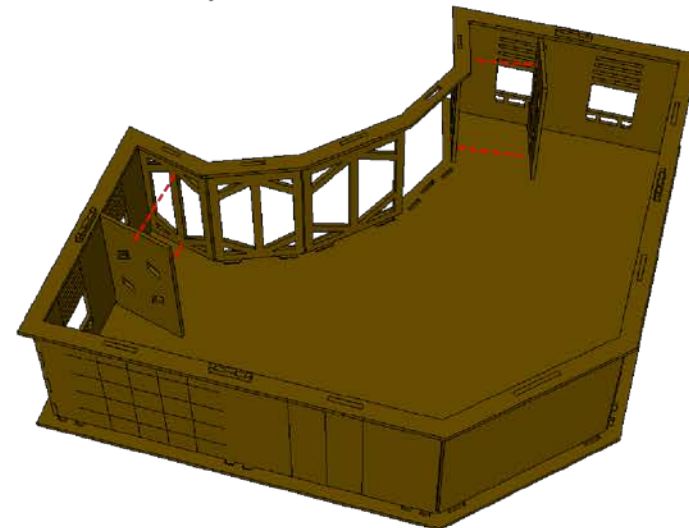
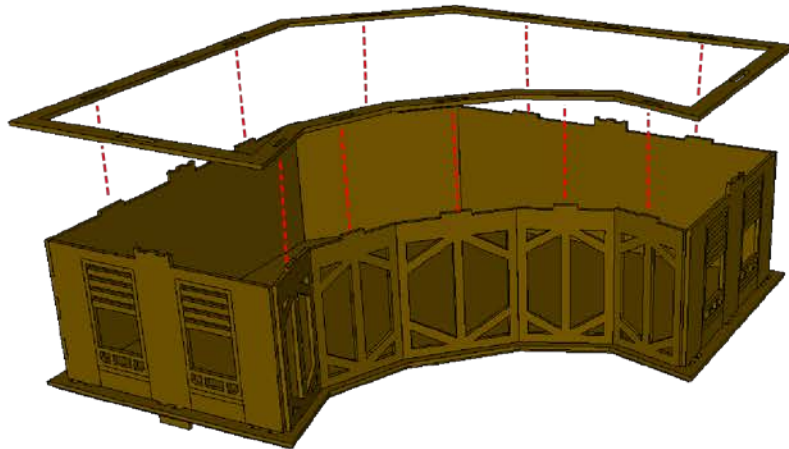
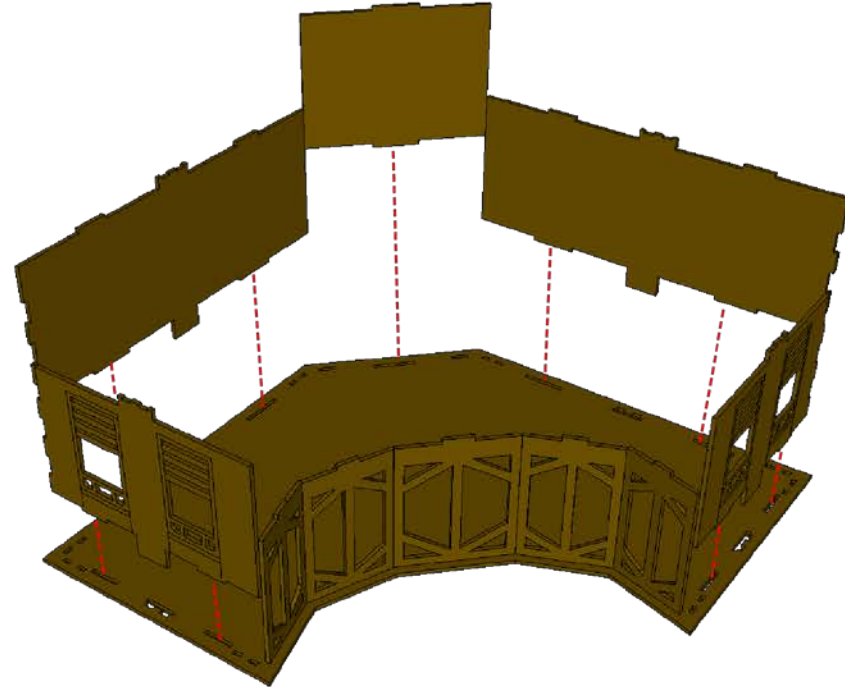
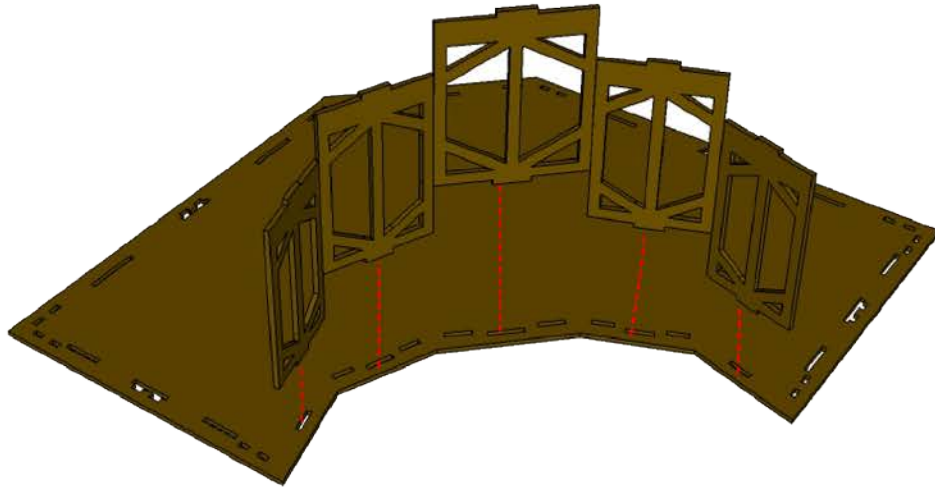


This kit includes opening doors. We have designed them to be super simple to assemble. **DO NOT** glue the door pegs into the door jam piece. Slip the top peg into the round hole of the door jam, then slip the bottom peg into the base plate on a angle. Apply glue to the underside of the doorway opening and push the door jam pegs into the slots onto the walls. You might find it helpful to do this after painting the rest of your kit. Your doors should swing freely!





RENN-TV BROADCAST HUB INSTRUCTIONS

