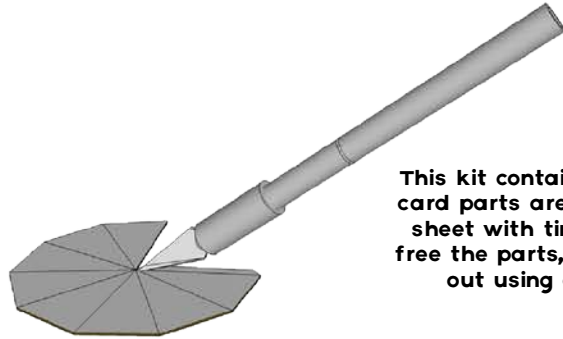
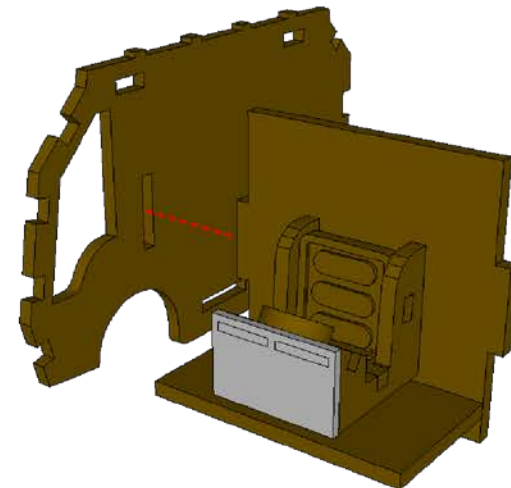
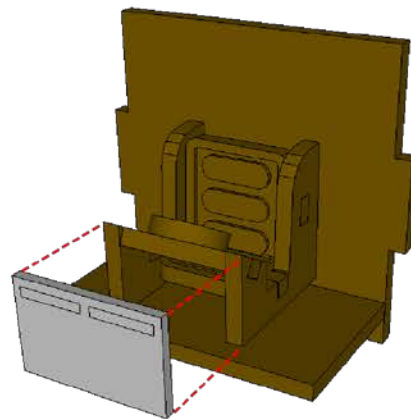
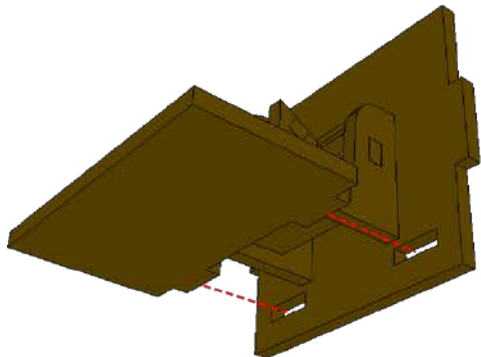
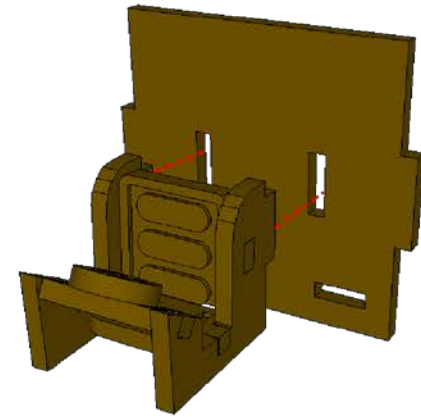
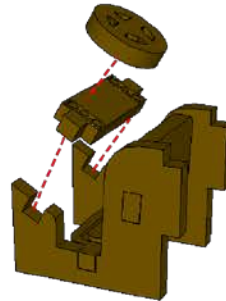
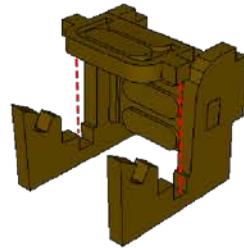
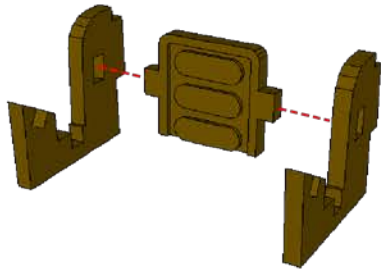


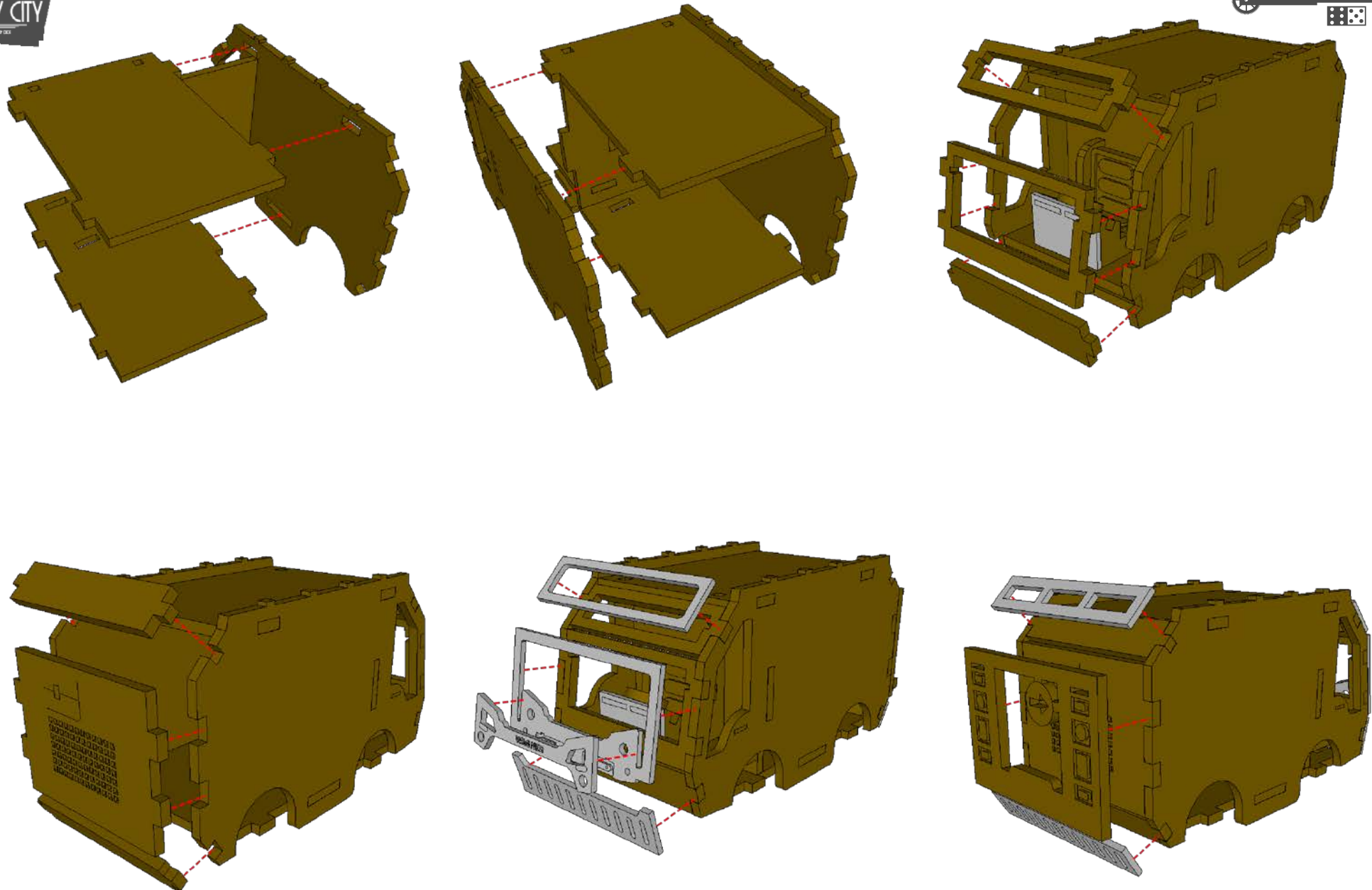
# STREET SWEEPER ASSEMBLY INSTRUCTIONS



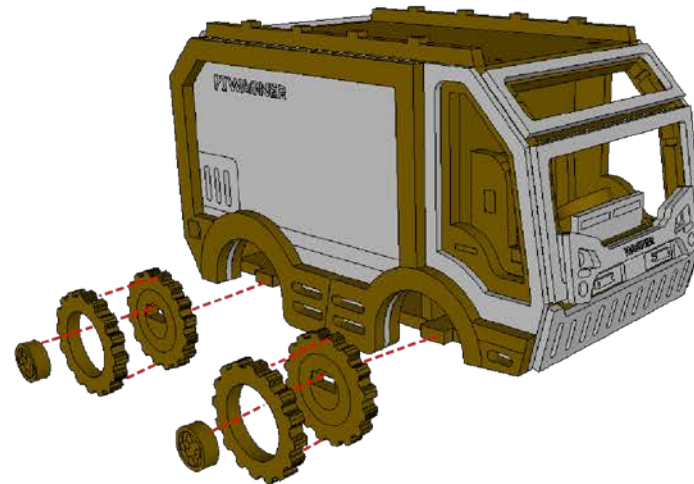
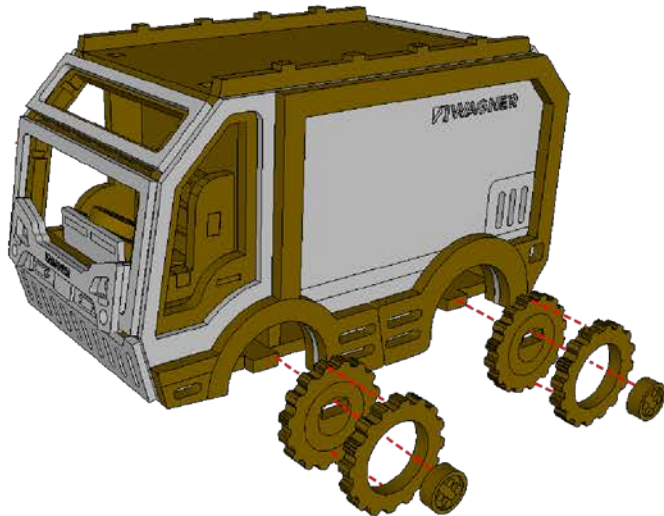
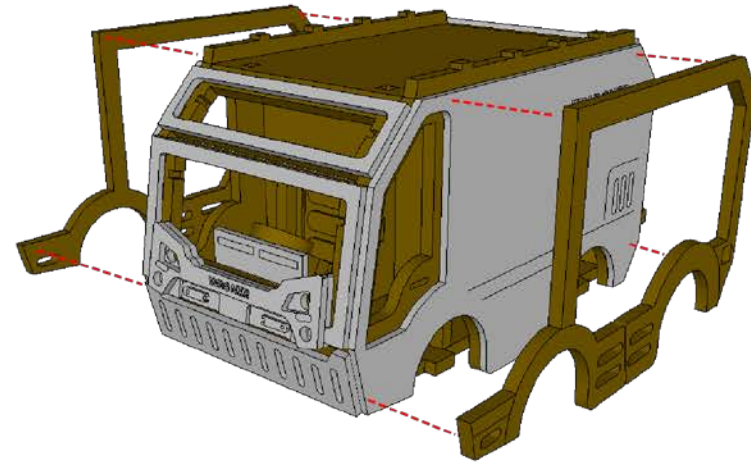
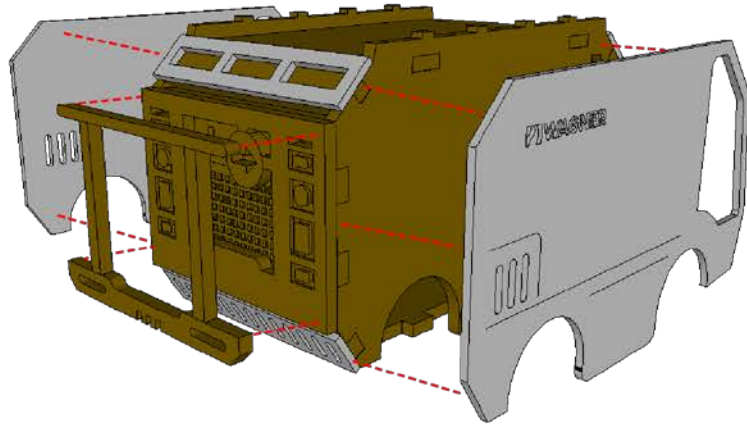
This kit contains card parts. All card parts are connected to the sheet with tiny connectors. To free the parts, simply trim them out using a hobby knife



# STREET SWEEPER ASSEMBLY INSTRUCTIONS



# STREET SWEEPER ASSEMBLY INSTRUCTIONS



# STREET SWEEPER ASSEMBLY INSTRUCTIONS

